

上海梁瑾机电设备有限公司

Shanghai Liangjin Electrical Equipment Co., Ltd

QUALITY DERIVE
FROM SANKAI
REPUTATION COME ALONG



品质源三凯 口碑自然来

产品概述 / PRODUCTS OVERVIEW

产品特点

NMRV系列蜗轮蜗杆减速机具有以下一些主要特点：

1. 优质铝合金铸造，重量轻，不生锈；
2. 输出扭矩大；
3. 传动平稳，噪音小，适合在恶劣环境中长期连续工作；
4. 散热效率高；
5. 美观耐用，体积小；
6. 可适应全方位安装。

主要材料

1. 外壳：铝合金（机座：025 - 090），铸铁（机座：110 - 150）；
2. 蜗杆：20Cr，渗碳淬火，齿面硬度56 - 62HRC，精磨后保持渗碳层厚度0.3 - 0.5mm；
3. 蜗轮：耐磨锡青铜。

表面涂装

铝合金外壳：

1. 先抛丸处理，再经特种防腐处理，保持银白金属感，并耐汽油、二甲苯等有机溶剂的腐蚀；
2. 磷化处理，再喷RAL5010蓝色或银白色涂料。

铸铁外壳：先涂红色防锈漆，后喷涂RAL5010蓝色涂料。

PRODUCTS CHARACTERISTICS

NMRV series worm gear units is a new-generation of product developed by our company on the basis of perfecting WJ series products with a compromise of advanced technology both at home and abroad. Its main features are as follows;

1. Made of high-quality aluminum alloy, light weight and non-rusting.
2. Large output torque.
3. Smooth in running and low in noise, can work long time in dreadful conditions.
4. High in radiating efficiency.
5. Good-looking in appearance, durable in service life and small in volume.
6. Suitable for omnibearing installation.

MAIN MATERIALS

1. Housing: die-cast aluminum alloy(frame size 025 to 090);cast iron(frame size:110 to 150);
2. Worm: 20Cr, carbonize&quencher heat treatment make the hardness of gear's surface up to 56-62HRC,retain carburation layer's thickness between 0.3 and 0.5mm after precise grinding.
3. Worm wheel: wearable stannum bronze alloy.

SURFACE PAINTING

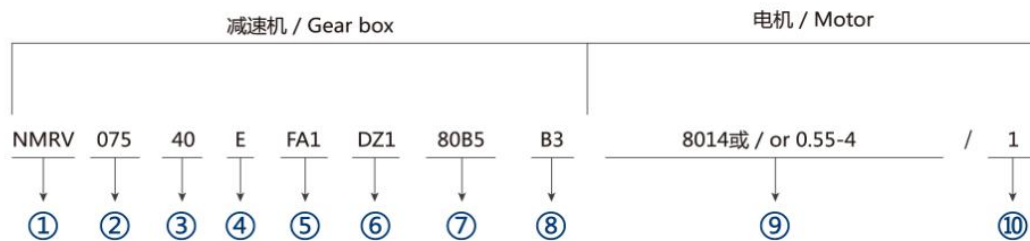
Aluminum alloy housing:

1. Shot blasting and special antiseptic treat-ment on the aluminum alloy surface.
2. After phosphating, paint with RAL5010 blue or silvery white paint.

Cast iron housing: First paint with red antirust paint, then paint white RAL5010 blue or silvery white paint.

型号说明 / MODEL ILLUMINATE

NMRV/NRV 蜗轮蜗杆减速电机与减速机
WORM GEARED MOTORS AND WORM GEAR UNITS



NO	说明	Comments
1	型号代码： 1. RV孔输入带输入法兰 2. NRV轴输入不带输入法兰	Model code 1. RV:Hole input with flange 2. NRV:Shaft input without flange
2	蜗轮蜗杆减速机中心距（规格）	Central distance of worm gear units(spec)
3	减速机速比 (i=5,7.5,10,15,20,25,30,40,50,60,80,100)	Speed ratio of reducer r(i=5,7.5,10,15,20,25,30,40,50,60,80,100)
4	1. 无代号表示不带蜗杆同向尾出轴 2. E：带蜗杆同向尾出轴	1. No mark means single extension worm shaft 2. E: Double extension worm shaft
5	1. 无代号表示不带输出法兰 2. FA,FB,FC,FD,FE(1/2):输出法兰号和位置	1. No mark means without output flange 2. FA,FB,FC,FD,FE(1/2):output Flange and position
6	1. 无代号表示孔输出 2. DZ (1/2)：单向输出轴和位置 3. SZ：双向输出轴	1. No mark means hole output 2. DZ(1/2):Single output shaft and position 3. SZ:Double output shaft
7	输入法兰规格型式（不带电机时）	Normalized form of input flange(without motor)
8	安装方位代号	Installation position code
9	1. 无代号表示不带电机 2. 电机型号或功率，极数	1. No mark means without motor 2. Model motors(poles of power)
10	电机接线盒位置，默认位置1可以不写	Position diagram for motor terminal box default position 1 not to write out is ok

公司名称：上海梁瑾机电设备有限公司
 联系人：杨少银手机:13916695992 13661935973
 QQ:1774474796 3529250374
 电话:021-60538280 传真:021-57872573
 网址: <http://www.liangjinqb.com>
 地址：中国上海上海市松江区茜浦路850弄33号

选型相关参数 / RELEVANT PARAMETER

功率 P

$$P_1 = P_2 / \eta \text{ (kw)}$$

$$P_{1n} \geq P_1 \cdot fs \text{ (kw)}$$

P₁ 输入功率

P₂ 输出功率

P_{1n} 输入电机额定功率

fs 使用系数

η 传动效率

在NMRV蜗轮蜗杆减速机选型表中，这个功率P_{1n}是指在输入转速为n₁并且对应的使用系数fs=1时，减速机的安全输入功率，单位kw。

传动效率η值是减速机经过足够长时间的跑合后计算得到的。跑合后在动转过程中，表面温度下降并最终稳定。需要特别强调的是样本中给定的额定转矩值M_{2n}应该考虑到传动效率η的关系。

Power P

$$P_1 = P_2 / \eta \text{ (kw)}$$

$$P_{1n} \geq P_1 \cdot fs \text{ (kw)}$$

P₁ Input power

P₂ Output power

P_{1n} Rated input motor power

fs Service factor

η Transmission efficiency

The parameter can be found in the NMRV gear-box rating charts and represents the kw that can be safely transmitted to the gearbox, based on input speed n₁ and service factor fs=1.

Values of η are calculated for gearboxes after a sufficiently in operation reduces and finally stabilizes. It may be worth high lighting that values of rated torque M_{2n} given in the catalogue take the transmission efficiency η into consideration.

转速 n

n₁ 减速机输入转速

n₂ 减速机输出转速

若是减速箱外部传动装置驱动，为了优化工作条件和提高使用寿命，建议使用1400r/min或更低转速。

ROTATION SPEED N

n₁ Gear units input speed

n₂ Gear units output speed

If driven by the external gearing, 1400r/min or lower rotation speed is suggested so as to optimize the working conditions and prolong the service life.

传动比 i

$$i = n_1 / n_2$$

TRANSMISSION RATIO I

$$i = n_1 / n_2$$

扭矩 M

$$M_2 = 9550 \cdot P_1 \cdot \eta / n_2 \text{ (Nm)}$$

$$M_{2n} \geq M_2 \cdot fs \text{ (Nm)}$$

M₂ 输出扭矩

M_{2n} 额定输出扭矩

P₁ 输入功率

η 传动效率

fs 使用系数

TORQUE M

$$M_2 = 9550 \cdot P_1 \cdot \eta / n_2 \text{ (Nm)}$$

$$M_{2n} \geq M_2 \cdot fs \text{ (Nm)}$$

M₂ Output torque

M_{2n} Rated output torque

P₁ Input power

η Transmission efficiency

fs Service factor

全国直销服务热线 13916695992 021-60538280

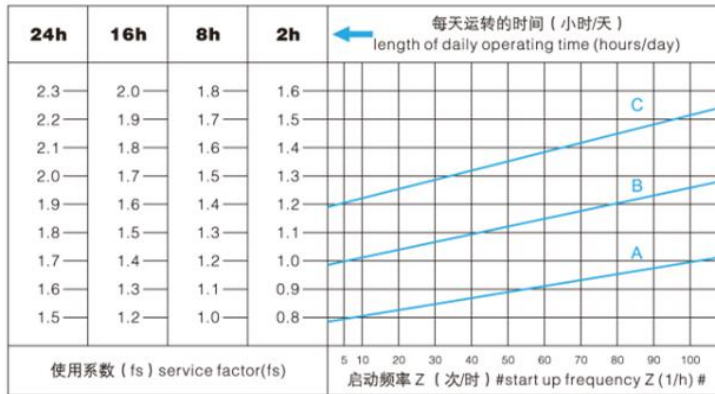
选型相关参数 / RELEVANT PARAMETER

使用系数 f_s

减速机上的从动机构的受驱动效果是用使用系数 f_s 这个系数来衡量的。该使用系数根据每天的运转时间和启动频率 Z 而定的。三种负载分类取决于惯性加速系数，在下图中可读取实际应用的使用系数，按这图表选取的使用系数必须小于或者等于性能参数表中提供的使用系数。

SERVICE FACTOR f_s

The effect of the driven machine on the gear unit is taken into account to a sufficient level of accuracy using the service factor f_s . The service factor is determined according to the daily operating time and the starting frequency Z . Three load classifications are considered depending on the mass acceleration factor. You can read off the service factor applicable to your application in following figure. The service factor selected using this diagram must be less than or equal to the service factor as given in the performance parameter table.



启动频率 Z : 周期包括所有启动, 制动的次数以及变速电机高低速变化时的次数。

Starting frequency Z : The cycles include all starting and braking procedures as well as change overs from low to high speed.

负载类型

负载性质:

A 均匀冲击负载, 允许惯性加速系数 $F_a \leq 0.3$

B 中等冲击负载, 允许惯性加速系数 $F_a \leq 3$

C 重冲击负载, 允许惯性加速系数 $F_a \leq 10$

LOAD CLASSIFICATIONS

Type of load:

A Uniform, permitted mass acceleration factor $F_a \leq 0.3$

B Moderate shock load, permitted mass acceleration factor $F_a \leq 3$

C Heavy shock load, permitted mass acceleration factor $F_a \leq 10$

负载类型:

轻负载的螺杆输送, 风扇, 装备线, 输送带, 小型搅拌机, 电梯, 清洗机器, 过滤器, 控制驱动。

卷扬机, 木工机器进料器, 货物起重机, 平衡器, 绞螺纹机器, 中型搅拌机, 重型输送带, 绞盘, 滑动闸门, 刮料机, 包装机械, 混凝土搅拌机, 行车驱动装置, 铣床, 齿轮泵。

大型搅拌机, 剪床, 压机, 离心机, 旋转支撑装置, 重型绞盘和起重机, 磨床, 石材打磨机, 翻斗机, 钻床, 冲床, 凸轴压机, 摺床, 机床转盘, 翻桶装置, 振荡装置, 破碎机。

Load Classifications:

Screw feeders for light materials, fans, assembly lines, conveyor belts for light materials, small mixers, lifts, cleaning machines, medium mixers, conveyor belts for heavy materials, winches, sliding doors, fertilizer scrapers, packing machines, concrete mixers, crane mechanisms, milling cutters, folding machines, gear pumps.

Mixers for heavy materials, shears, presses centrifuges, rotating supports, winches and lifts for heavy materials, grinding lathes, stone mills, bucket elevators, drilling machines, hammer mills, campresses, folding machines, turntables, tumbling barrels, vibrators, shredders

全国直销服务热线 13916695992

021-6053828



传动装置专业制造商
PROFESSIONAL MANUFACTURER OF TRANSMISSION DEVICE

系列

品质源于口碑自然来 WWW.SUNCARVE.COM

选型相关参数 / RELEVANT PARAMETER

惯性加速系数

惯性加速系数计算如下:

$$Fa = Jc / Jm$$

Fa 惯性加速系数

Jc 所有外部传动惯量 (kgm²)

Jm 驱动电机的传动惯量 (kgm²)

如果惯性加速系数fa > 10, 请与我们技术部联系。

受环境温度影响, 使用系数fs 仍须按以下调整:

1. 环境温度30~40℃: fs × (1.1~1.2)

2. 环境温度40~50℃: fs × (1.3~1.4)

3. 环境温度50~60℃: fs × (1.5~1.6)

4. 环境温度 > 60℃, 请与我们技术服务人员联系。

为了保持减速机的使用寿命, 从产品样本中所选择的使用系数fs应等于或略高于计算出的使用系数fs.

MASS ACCELERATION FACTOR

The mass acceleration factor is calculated as follows :

$$Fa = Jc / Jm$$

Fa Mass acceleration factor

Jc All external mass moments of inertia (kgm²)

Jm Mass moment of inertia on the motor end (kgm²)

If mass acceleration factors fa > 10, please call our Technical Service.

Service factor fs should be adjusted as followings:

1. ambient temperature is 30~40℃: fs × (1.1~1.2)

2. ambient temperature is 40~50℃: fs × (1.3~1.4)

3. ambient temperature is 50~60℃: fs × (1.5~1.6)

4. ambient temperature is > 60℃, please call our Technical Service.

To keep the service-life of gear units, the use factor fs selected from the catalogue must be equal or slightly higher than the calculated use factor fs

径向载荷Fr

在决定影响径向载荷时, 安装在轴端上的传动件类型必须考虑在内, 不同类型的传动对应不同的传动附加系数fz.列表如下:

RADIAL LOADS FR

When determining the resulting radial loads, the type of transmission elements, mounted on the shaft end must be considered, Various transmission elements are corresponding with following transmission element factors fz.

传动件 Transmission element	传动附加系数 fz Transmission element factor fz	注释 Comments
齿轮 Gears	1.00	≥ 17齿 teeth
	1.15	< 17齿 teeth
链轮 Chain sprockets	1.00	≥ 20齿 teeth
	1.25	< 20齿 teeth
	1.40	< 13齿 teeth
V带轮 Narrow V-belt pulleys	1.75	有预紧力作用 Influence of the tensile force
平带轮 Flat belt pulleys	2.50	有预紧力作用 Influence of the tensile force
齿带轮 Toothed belt pulleys	2.50	有预紧力作用 Influence of the tensile force

作用在轴上的径向载荷按如下公式计算:

$$Fr = \frac{M \cdot 2000 \cdot fz}{d_o} \text{ (N)}$$

Fr 作用在轴上的载荷 (N)

M 作用在轴上的扭矩 (Nm)

d_o 安装在轴上传动件的平均直径 (mm)

fz 传动附加系数

The overhung loads exerted on the motor or gear shaft is then calculated as follows.

$$Fr = \frac{M \cdot 2000 \cdot fz}{d_o} \text{ (N)}$$

Fr Resulting radial load (N)

M Torque on the shaft (Nm)

d_o Mean diameter of the mounted transmission element in (mm)

fz Transmission element factor

全国直销服务热线 13916695992 021-60538280

选型相关参数 / RELEVANT PARAMETER

当径向负荷不作用在轴中点时，按以下公式计算有效负荷：

$$F \times L \leq \frac{Fr_2 \cdot a}{(b+x)} \text{ (N)}$$

Fr_2 依据下面表格给出中底脚安装式齿轮减速器的许可径向载荷 ($X=L/2$) (N)

a,b 齿轮减速器径向换算常量(mm)

X 轴户到实际作用点的距离(mm)

a,b, Fr_2 的数值在下面表格给出：

The allowed radial load force on the shaft is calculated with the following formula:

$$F \times L \leq \frac{Fr_2 \cdot a}{(b+x)} \text{ (N)}$$

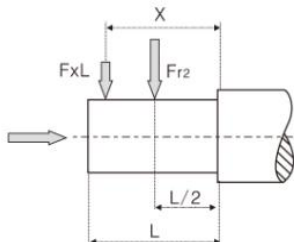
Fr_2 Permitted overhung load($x=L/2$)for foot-mounted gear units according to the selection tables in (N)

A,b Gear unit constant for overhung load conversion(mm)

X Distance form the shaft shouldert to the force application point in(mm)

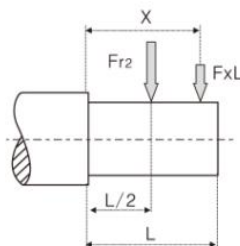
The values of a, b Fr_2 are given in the following tables:

输出轴径向载荷 / Out put shafts radial loads



NMRV	025	030	040	050	063	075	090	110	130	150
a	50	65	84	101	120	131	162	176	188	215
b	38	50	64	76	95	101	122	136	148	174
Fr_2 max	1350	1830	3490	4840	6270	7380	8180	12000	13500	18000

输入轴径向载荷 / Input shafts radial loads



NMRV	030	040	050	063	075	090	110	130	150
a	86	106	129	159	192	227	266	314	350
b	76	94.5	114	139	167	202	236	274	310
Fr_2 max	210	350	490	700	980	1270	1700	2100	2800

全国直销服务热线 13916695992 021-60538280







NMRV 传动装置专业制造商
PROFESSIONAL MANUFACTURER OF TRANSMISSION DEVICE

系列

品质源于口碑 自然天成 WWW.SUNCARVE.COM

选型相关参数 / RELEVANT PARAMETER

选型表注释 / SELECTION TABLES COMMENTS

P_{1n} (kw)	n_2 (r/min)	i	M_{2n} (Nm)	M_{2max} (Nm)	f_s		
P_{1n}	输入电机额定功率 (kw);					P_{1n}	Rated power driving motor (kw)
n_2	输出转速(r/min);					n_2	Output speed (r/min)
M_{2n}	额定输出扭矩(Nm);					M_{2n}	Rated output torque(Nm)
M_{2max}	最大允许输出扭矩 (Nm);					M_{2max}	Permissible output torque(Nm)
i	减速机速比;					i	Gear unit ratio
f_s	使用系数;					f_s	Service factor
	减速机型号;						Gear unit type
	电机型号;						Motor type

选型举例 / SELECTION EXAMPLE

减速机

例: 被驱动设备所需功率0.5KW, $n_1 = 1400$ r/min, 均匀冲击负载, 启动频率20次/小时, 24小时连续运行, 环境温度32°C, 输出转速 $n_2 = 93.3$ r/min, 减速机要求B3安装方位, 则:

$$i = \frac{n_1}{n_2} = \frac{1400}{93.3} = 15$$

查P19页啮合参数表, 估算当 $i = 15$ 时, $\eta_d = 0.82$
查图调整使用系数得 $f_s = 1.53 \times 1.12 = 1.714$
 $P_{1n} \geq P_2 / \eta_d \cdot f_s = 0.5 / 0.82 \times 1.714 = 1.045$ (kw)
查NMRV系列性能参数表可确定减速机型号为:
NMRV075-15-B3-1.1-4
输出扭矩 M_2 计算:

$$M_2 = \frac{9550 \cdot P_2}{n_2} = \frac{9550 \cdot 0.5}{93.3} = 51.18 \text{ (Nm)}$$

$$M_{2n} = 95 \geq M_2 \cdot f_s = 51.18 \times 1.714 = 87.72 \text{ (Nm)}$$

GEAR MOTOR

Example: The input power of driver machine is 0.5kw, $n_1 = 1400$ r/min, uniform, start up frequency 20(1/h), continuous running for 24 hours, the ambient temperature is 32°C, $n_2 = 93.3$ r/min, B3 mounted so:

$$i = \frac{n_1}{n_2} = \frac{1400}{93.3} = 15$$

Check mash table on P19, estimate when the $i = 15$, $\eta_d = 0.82$
Check and adjust the service factor, will get $f_s = 1.53 \times 1.12 = 1.714$
 $P_{1n} \geq P_2 / \eta_d \cdot f_s = 0.5 / 0.82 \times 1.714 = 1.045$ (kw)
Choose type:
NMRV075-15-B3-1.1-4

$$M_2 = \frac{9550 \cdot P_2}{n_2} = \frac{9550 \cdot 0.5}{93.3} = 51.18 \text{ (Nm)}$$

$$M_{2n} = 95 \geq M_2 \cdot f_s = 51.18 \times 1.714 = 87.72 \text{ (Nm)}$$

减速机

例: 被驱动设备所需扭矩为300Nm, 工作8小时连续运行, 均匀冲击负载, 启动频率5次/小时, 环境温度30°C, 即可选用系数 $f_s = 1.2 \times 1.1 = 1.32$, 减速机输入转速 $n_1 = 900$ r/min, 输出转速 $n_2 = 22.5$ r/min.

$$M_{2n} \geq M_2 \cdot f_s = 300 \times 1.32 = 396 \text{ (Nm)}$$

$$i = \frac{n_1}{n_2} = \frac{900}{22.5} = 40$$

查NMRV系列性能参数表可确定减速机型号为:
NMRV090-40

GEAR UNITS

Example: Required torque 300um on driven machine, continuous running for 8 hours, uniform loda, the ambient temperature is 30 °C, then choose the service factor $f_s = 1.2 \times 1.1 = 1.32$, $n_1 = 900$ r/min, $n_2 = 22.5$ r/min.

$$M_{2n} \geq M_2 \cdot f_s = 300 \times 1.32 = 396 \text{ (Nm)}$$

$$i = \frac{n_1}{n_2} = \frac{900}{22.5} = 40$$

Choose type:
NMRV090-40

全国直销服务热线 13916695992 021-60538280

NMRV

传动装置专业制造商

PROFESSIONAL MANUFACTURER OF TRANSMISSION DEVICE

系列

品质源自口碑自然来 WWW.SUNCARVE.COM

选型相关参数 / RELEVANT PARAMETER

效率与自锁特性 / EFFICIENCY & IRREVERSIBILITY CHARACTER

效率是减速机一个重要参数，效率 η 的值取决于下列参数1.蜗轮蜗杆的螺旋角；2.输入转速；3.蜗轮蜗杆的磨合时间；4.油品、油封和轴承的性能。在第21页上的啮合参数表列出了动态效率 ($\eta_1=1400$) 及静态效率参数。请注意：这些参数是指减速机磨合后性能稳定的计算值。另外，样本中规定的扭矩 M_{2n} 也是减速机磨合性能稳定的计算值。上述的实际值可能会有上下偏差。

Efficiency is an important parameter of reducer, Efficiency η depends on the following parameters: 1. helix angle of gearing; 2. driving speed; 3. running-in of gearing; 4. The performance of oil, oil seal and bearing. The mesh data table on page 21 shows dynamic efficiency ($\eta_1=1400$) and static efficiency values. Remember that these values are only achieved after the unit has been run in. Torque values M_{2n} indicated in the catalogue are calculated by considering the steady-state performance of the gearboxes. The actual values mentioned above may have deflection.

动态自锁

动态自锁是指当马达输入轴突然停止时，输出轴能同步停止。此条件要求动态效率 $\eta_d < 0.5$ (参见第21页表格)

DYNAMIC IRREVERSIBILITY

Dynamic irreversibility is achieved when the output shaft stops instantly when drive is no longer transmitted through the worm shaft. This condition requires a dynamic efficiency of $\eta_d < 0.5$ (see table on page 21).

静态自锁

静态自锁是指当减速器处于静止状态时，输出轴上的负载不能把蜗轮推动。此条件要求静态效率 $\eta_s < 0.5$ (参见第21页表格)

STATIC IRREVERSIBILITY

Static irreversibility is achieved when the gear reducer at a standstill, the application of a load to the output shaft can't drive the worm shaft. This condition requires a static efficiency of $\eta_s < 0.5$ (see table on page 21)

η_d	> 0.6	0.5~0.6	0.4~0.5	< 0.4
动态自锁效果	动态不自锁	动态自锁很低	动态自锁良好	动态自锁
Dynamic irreversibility	Dynamic reversibility	Low dynamic reversibility	Good dynamic irreversibility	Dynamic irreversibility

η_s	> 0.55	0.5~0.55	< 0.5
静态自锁效果	静态不自锁	静态自锁很低	静态自锁
Static irreversibility	Static reversibility	Low static reversibility	Static irreversibility

上述表格中所有参数只是供大概参考，振动和冲击也会影响减速机的自锁功能。事实上要保证完全自锁是不可能的，我们建议需要时安装外部的安全制动的装置。对于一个组合减速机自锁条件时，必须考虑单减速机的自锁功能效率，因为整体自锁功能是： $\eta_{tot} = \eta_1 \times \eta_2$ 。

The table shows approximate irreversibility classes. Vibrations and shocks can affect a gear reducer's irreversibility. As it is virtually impossible to provide and guarantee total non reversing, we recommend the use of an external brake with sufficient capability to prevent vibrations in duced starting, where these circumstances are required. For the irreversibility conditions of a combined geared unit one must consider that the efficiency of the group is given by the product of the efficiencies of each single reducer: $\eta_{tot} = \eta_1 \times \eta_2$.

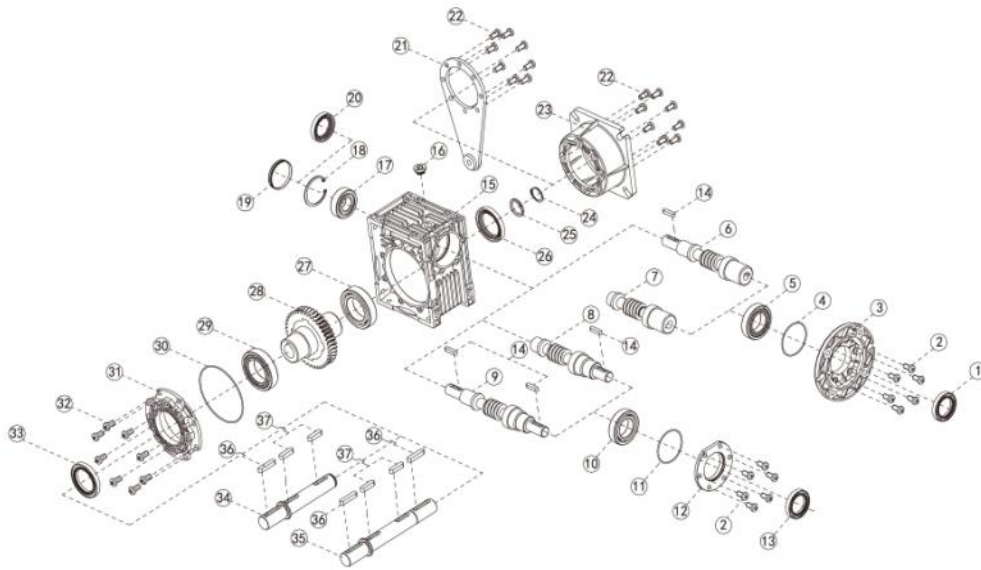
全国直销服务热线 13916695992 021-60538280

NMRV 传动装置专业制造商
PROFESSIONAL MANUFACTURER OF TRANSMISSION DEVICE

系列

品质源于口碑 自然天成 WWW.SUNCARVE.COM

NMRV结构分解图 / NMRV STRUCTURE DIAGRAM



1 油封	11 O型橡胶密封圈	21 扭力臂	31 输出端盖
2 内六角圆柱头螺栓	12 轴承座	22 内六角圆柱头螺栓	32 内六角圆柱头螺栓
3 电机法兰	13 油封	23 输出法兰	33 油封
4 O型橡胶密封圈	14 平键	24 轴用弹性挡圈	34 单向输出轴
5 轴承	15 箱体	25 挡圈	35 双向输出轴
6 孔输入轴输入蜗杆	16 油塞	26 油封	36 平键
7 孔输入蜗杆	17 轴承	27 轴承	37 平键
8 轴输入蜗杆	18 孔用弹性挡圈	28 蜗轮	
9 双轴输入蜗杆	19 平面油封	29 轴承	
10 轴承	20 油封	30 O型橡胶密封圈	
1 Oil seal	11 O-ring	21 Torque arm	31 Bearing support cover
2 Hexgon socket head cap screw	12 Bearing block	22 Hexgon socket head cap screw	32 Hexgon socket head cap screw
3 Flange PAM	13 Oil seal	23 Output flange	33 Oil seal
4 O-ring	14 Parallel key	24 Circlip for shaft	34 Single output shaft
5 Bearing	15 Cablint	25 Washer	35 Double output shaft
6 Double ext. RV Worm	16 Plug cock	26 Oil seal	36 Parallel key
7 PAM worm	17 Bearing	27 Bearing	37 Parallel key
8 RV worm	18 Circlip for hole	28 Worm wheel	
9 Double ext. RV worm	19 Oil seal	29 Bearing	
10 Bearing	20 Oil seal	30 O-ring	

全国直销服务热线 13916695992 021-60538280



系列 品质源自三凯 口碑自然来 WWW.SUNCARVE.COM

减速机啮合参数 / MESH DATA

NRV	i	5	7.5	10	15	20	25	30	40	50	60	80	100
025	Z1	6	4	3	2	2	—	1	1	1	1	—	—
	γ	30° 58'	21° 48'	16° 42'	11° 19'	10° 53'	—	5° 43'	5° 29'	4° 34'	3° 23'	—	—
	m	1.25	1.25	1.25	1.25	1	—	1.25	1	0.8	0.65	—	—
	η _d (1400)	0.87	0.85	0.83	0.79	0.75	—	0.67	0.62	0.58	0.55	—	—
	η _s	0.72	0.71	0.68	0.61	0.56	—	0.46	0.41	0.36	0.34	—	—
030	Z1	6	4	3	2	2	1	1	1	1	1	1	—
	γ	29° 03'	20° 19'	15° 31'	10° 29'	5° 42'	6° 10'	5° 17'	2° 52'	3° 26'	2° 52'	1° 58'	—
	m	1.5	1.5	1.5	1.5	1	1.75	1.5	1	0.9	0.75	0.55	—
	η _d (1400)	0.87	0.85	0.82	0.77	0.73	0.68	0.65	0.59	0.55	0.51	0.44	—
	η _s	0.72	0.67	0.63	0.55	0.5	0.43	0.39	0.35	0.31	0.27	0.23	—
040	Z1	6	4	3	2	2	2	1	1	1	1	1	1
	γ	30° 58'	21° 48'	16° 42'	11° 19'	11° 19'	8° 08'	5° 43'	5° 43'	4° 05'	2° 52'	2° 52'	2° 29'
	m	2	2	2	2	2	1.6	1.25	2	1.6	1.25	1	0.8
	η _d (1400)	0.89	0.87	0.85	0.82	0.78	0.75	0.7	0.65	0.62	0.58	0.52	0.47
	η _s	0.74	0.71	0.67	0.6	0.55	0.51	0.45	0.4	0.36	0.32	0.28	0.24
050	Z1	4	4	3	2	2	2	1	1	1	1	1	1
	γ	23° 49'	21° 48'	16° 42'	11° 19'	11° 19'	9° 05'	5° 43'	5° 43'	4° 21'	2° 52'	2° 52'	2° 17'
	m	3.4	2.5	2.5	2.5	2	1.6	2.5	2	1.6	1.25	1	0.8
	η _d (1400)	0.89	0.88	0.86	0.82	0.79	0.76	0.72	0.67	0.63	0.59	0.53	0.49
	η _s	0.74	0.7	0.66	0.59	0.55	0.51	0.44	0.39	0.35	0.32	0.27	0.23
063	Z1	—	4	3	2	2	2	1	1	1	1	1	1
	γ	—	24° 31'	18° 53'	12° 51'	11° 19'	8° 45'	6° 30'	5° 43'	4° 24'	3° 03'	2° 52'	2° 12'
	m	—	3.25	3.25	3.25	2.5	2	3.25	2.5	2	1.6	1.25	1
	η _d (1400)	—	0.88	0.87	0.83	0.81	0.78	0.74	0.7	0.66	0.62	0.57	0.51
	η _s	—	0.71	0.67	0.6	0.55	0.51	0.45	0.4	0.36	0.33	0.28	0.24
075	Z1	—	4	3	2	2	2	1	1	1	1	1	1
	γ	—	28° 4'	21° 48'	14° 56'	11° 19'	11° 19'	7° 36'	5° 43'	5° 43'	3° 49'	4° 21'	2° 52'
	m	—	4	4	4	3	2.5	4	3	2.5	2	1.6	1.25
	η _d (1400)	—	0.89	0.88	0.85	0.82	0.80	0.76	0.72	0.69	0.65	0.60	0.55
	η _s	—	0.71	0.68	0.61	0.57	0.53	0.46	0.42	0.38	0.35	0.29	0.26
090	Z1	—	4	3	2	2	2	1	1	1	1	1	1
	γ	—	28° 04'	26° 34'	18° 26'	14° 02'	11° 19'	9° 28'	7° 08'	5° 43'	4° 46'	3° 53'	2° 52'
	m	—	4.8	5	5	3.75	3	5	3.75	3	2.5	1.9	1.5
	η _d (1400)	—	0.9	0.89	0.86	0.84	0.82	0.78	0.75	0.72	0.69	0.63	0.59
	η _s	—	0.73	0.7	0.64	0.6	0.56	0.49	0.45	0.41	0.38	0.32	0.28
110	Z1	—	4	3	2	2	2	1	1	1	1	1	1
	γ	—	28° 46'	22° 22'	15° 21'	14° 20'	14° 02'	7° 49'	7° 17'	7° 08'	5° 48'	4° 54'	3° 37'
	m	—	5.9	5.9	5.9	4.6	3.75	5.9	4.6	3.75	3.15	2.4	1.9
	η _d (1400)	—	0.9	0.89	0.86	0.85	0.84	0.79	0.78	0.75	0.72	0.67	0.63
	η _s	—	0.72	0.69	0.63	0.62	0.59	0.48	0.48	0.44	0.41	0.36	0.32
130	Z1	—	4	3	2	2	2	1	1	1	1	1	1
	γ	—	29° 15'	22° 47'	15° 39'	13° 47'	12° 24'	7° 58'	7° 00'	6° 17'	6° 07'	3° 56'	3° 41'
	m	—	7	7	7	5.4	4.4	7	5.4	4.4	3.75	2.75	2.25
	η _d (1400)	—	0.91	0.89	0.87	0.86	0.84	0.8	0.78	0.75	0.72	0.68	0.64
	η _s	—	0.72	0.69	0.63	0.61	0.58	0.49	0.46	0.43	0.39	0.34	0.3
150	Z1	—	6	4	3	2	2	2	1	1	1	1	1
	γ	—	29° 37'	24° 41'	15° 52'	12° 56'	11° 19'	9° 56'	6° 34'	5° 43'	5° 00'	3° 45'	2° 52'
	m	—	5.4	6.16	5.4	6.16	5	4.2	6.16	5	4.2	3.15	2.5
	η _d (1400)	—	0.91	0.9	0.88	0.86	0.84	0.83	0.78	0.76	0.73	0.68	0.64
	η _s	—	0.73	0.71	0.66	0.6	0.57	0.54	0.45	0.42	0.39	0.33	0.29

备注: i-速比, Z1-蜗杆头数; γ-导程角, m-模数, η_d-动态效率, η_s-静态效率。

全国直销服务热线 13916695992

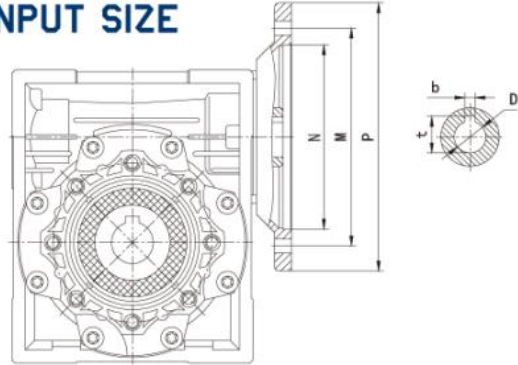
021-60538280

NMRV 传动装置专业制造商
PROFESSIONAL MANUFACTURER OF TRANSMISSION DEVICE

系列

品质源于自然 口碑自然来 WWW.SUNCARVE.COM

减速机输入尺寸 / NMRV REDUCER INPUT SIZE



NMRV	IEC接口				键槽		传动比 (i)											
	PAM-IEC	N	M	P	b	t	5	7.5	10	15	20	25	30	40	50	60	80	100
							孔径 (D)											
025	56B14	50	65	80	3	10.4	9	9	9	9	9	/	9	9	9	9	/	/
	56B5	80	100	120	3	10.4	9	9	9	9	9	9	9	9	9	9	9	/
030	63B14	60	75	90	4	12.8	11	11	11	11	11	11	11	11	11	/	/	/
	63B5	95	115	140	4	12.8	11	11	11	11	11	11	11	11	11	11	11	11
040	56B5	80	100	120	3	10.4	/	/	/	/	/	/	/	/	9	9	9	9
	63B14	60	75	90	4	12.8	11	11	11	11	11	11	11	11	11	11	11	11
	63B5	95	115	140	4	12.8	11	11	11	11	11	11	11	11	11	11	11	11
	71B14	70	85	105	5	16.3	14	14	14	14	14	14	14	14	/	/	/	/
050	71B5	110	130	160	5	16.3	14	14	14	14	14	14	14	14	14	14	14	14
	63B5	95	115	140	4	12.8	/	/	/	/	/	/	/	11	11	11	11	11
	71B14	70	85	105	5	16.3	14	14	14	14	14	14	14	14	14	14	14	/
	71B5	110	130	160	5	16.3	14	14	14	14	14	14	14	14	14	14	14	14
	80B14	80	100	120	6	21.8	19	19	19	19	19	19	19	19	/	/	/	/
	80B5	130	165	200	6	21.8	19	19	19	19	19	19	19	/	/	/	/	/

063	71B14	70	85	105	5	16.3	/	/	/	/	/	/	/	14	14	14	14	14	
	71B5	110	130	160															
	80B14	80	100	120	6	21.8	/	19	19	19	19	19	19	19	19	19	19	19	
	80B5	130	165	200															
	90B14	95	115	140	8	27.3	/	24	24	24	24	24	24	/	/	/	/	/	/
90B5	130	165	200																
075	71B5	110	130	160	5	16.3	/	/	/	/	/	/	/	/	14	14	14	14	
	80B14	80	100	120	6	21.8	/	/	/	/	19	19	19	19	19	19	19	19	
	80B5	130	165	200															
	90B14	95	115	140	8	27.3	/	24	24	24	24	24	24	24	/	/	/	/	/
	90B5	130	165	200															
	100/112B14	110	130	160	8	31.3	/	28	28	28	/	/	/	/	/	/	/	/	/
100/112B5	180	215	250																
090	80B14	80	100	120	6	21.8	/	/	/	/	/	/	19	19	19	19	19	19	
	80B5	130	165	200															
	90B14	95	115	140	8	27.3	/	/	/	/	/	24	24	24	24	24	/	/	
	90B5	130	165	200															
	100/112B14	110	130	160	8	31.3	/	28	28	28	28	28	28	/	/	/	/	/	/
100/112B5	180	215	250																
110	80B5	130	165	200	8	21.8	/	/	/	/	/	/	/	/	/	/	/	19	19
	90B5	130	165	200	8	27.3	/	/	/	/	/	/	24	24	24	24	24	24	24
	100/112B5	180	215	250	8	31.3	/	28	28	28	28	28	28	28	28	28	28	/	/
	132B5	230	265	300	10	41.3	/	38	38	38	38	/	/	/	/	/	/	/	/
130	90B5	130	165	200	8	27.3	/	/	/	/	/	/	/	/	/	/	/	24	24
	100/112B5	180	215	250	8	31.3	/	/	/	/	/	28	28	28	28	28	28	28	28
	132B5	230	265	300	10	41.3	/	38	38	38	38	38	38	38	/	/	/	/	/
150	100/112B5	180	215	250	8	31.3	/	/	/	/	/	/	/	/	28	28	28	28	28
	132B5	230	265	300	10	41.3	/	/	/	/	38	38	38	38	38	38	/	/	/
	160B5	250	300	350	12	45.3	/	42	42	42	42	42	42	/	/	/	/	/	/

全国直销服务热线 13916695992 021-60538280

NMRV 传动装置专业制造商
PROFESSIONAL MANUFACTURER OF TRANSMISSION DEVICE

系列

品质源自口碑 口碑自然来 WWW.SUNCARVE.COM

RV产品介绍 / RV PRODUCT INTRODUCTION



公司名称：上海梁瑾机电设备有限公司

联系人：杨少银 手机:13916695992

QQ:1774474796 3529250374 电话:021-60538280 传真:021-57872573

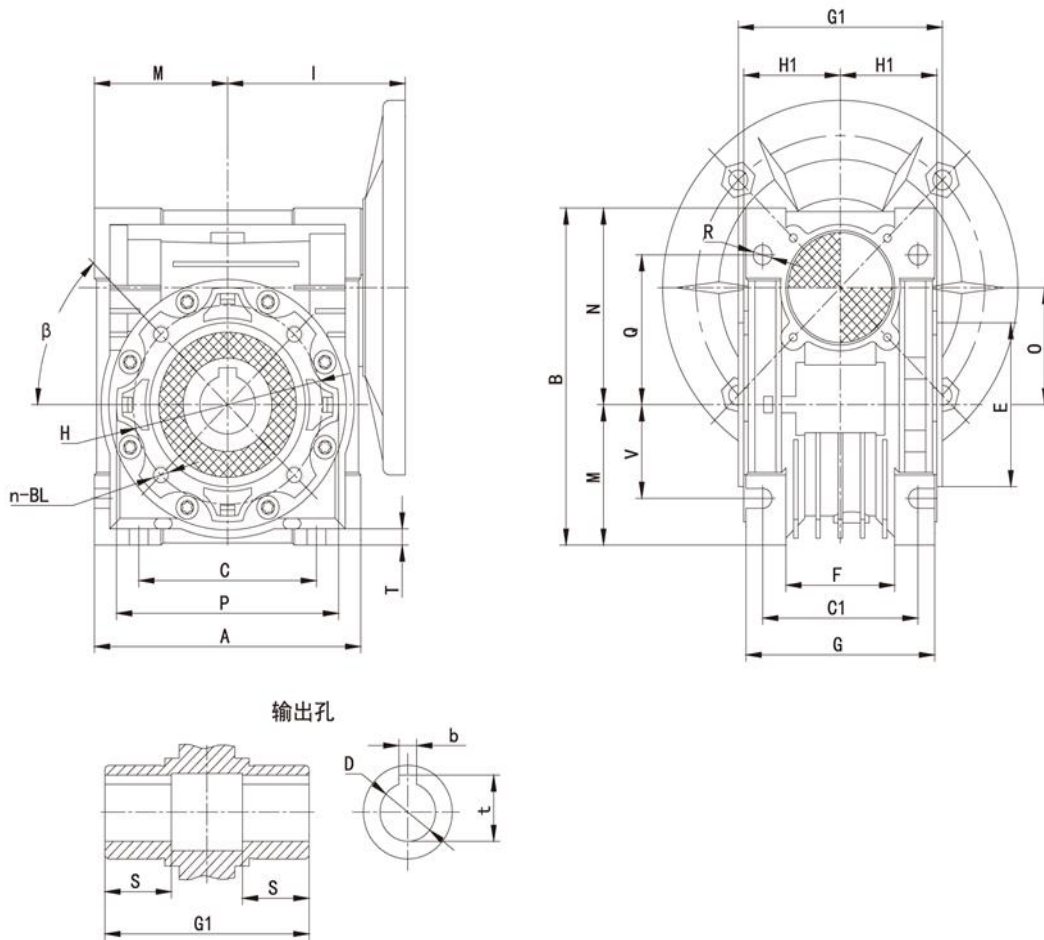
网址: <http://www.liangjinqb.com> 地址: 中国上海上海市松江区茜浦路 850 弄 33 号

NMRV 传动装置专业制造商
PROFESSIONAL MANUFACTURER OF TRANSMISSION DEVICE

系列

品质源三凯 口碑自然来 WWW.SUNCARVE.COM

RV尺寸/ RV SIZE



RV	A	B	C	C1	D (H8)	E (h8)	F	G	G1	H	H1	I	M	N	O	P	Q	R	S	T	BL	β	b	t	V
030	80	97	54	44	14	55	32	56	63	65	29	55	40	57	30	75	44	6.5	21	5.5	M6X10 (n=4)	0°	5	16.3	27
040	100	121.5	70	60	18(19)	60	43	71	78	75	36.5	70	50	71.5	40	87	55	6.5	26	6.5	M6X10 (n=4)	45°	6	20.8 (21.8)	35
050	120	144	80	70	25(24)	70	49	85	92	85	43.5	80	60	84	50	100	64	8.5	30	7	M8X12 (n=4)	45°	8	28.3 (27.3)	40
063	144	174	100	85	25(28)	80	67	103	112	95	53	95	72	102	63	110	80	8.5	36	8	M8X12 (n=8)	45°	8	28.3 (31.3)	50
075	172	205	120	90	28(35)	95	72	112	120	115	57	112.5	86	119	75	140	93	11	40	10	M8X14 (n=8)	45°	8(10)	31.3 (38.3)	60
090	206	238	140	100	35(38)	110	74	130	140	130	67	129.5	103	135	90	160	102	13	45	11	M10X16 (n=8)	45°	10	38.3 (41.3)	70
110	255	295	170	115	42	130	-	144	155	165	74	160	127.5	167.5	110	200	125	14	50	14	M10X18 (n=8)	45°	12	45.3	85
130	293	335	200	120	45	180	-	155	170	215	81	179	146.5	187.5	130	250	140	16	60	15	M12X20 (n=8)	45°	14	48.8	100
150	340	400	240	145	50	180	-	185	200	215	96	210	170	230	150	250	180	18	72.5	18	M12X22 (n=8)	45°	14	53.8	120

全国直销服务热线 13916695992 021-60538280

NMRV 传动装置专业制造商
PROFESSIONAL MANUFACTURER OF TRANSMISSION DEVICE

系列

品质源于口碑自然来 WWW.SUNCARVE.COM

RV-E产品介绍 / RV-E PRODUCT INTRODUCTION



公司名称：上海梁瑾机电设备有限公司

联系人：杨少银 手机:13916695992

QQ:1774474796 3529250374 电话:021-60538280 传真:021-57872573

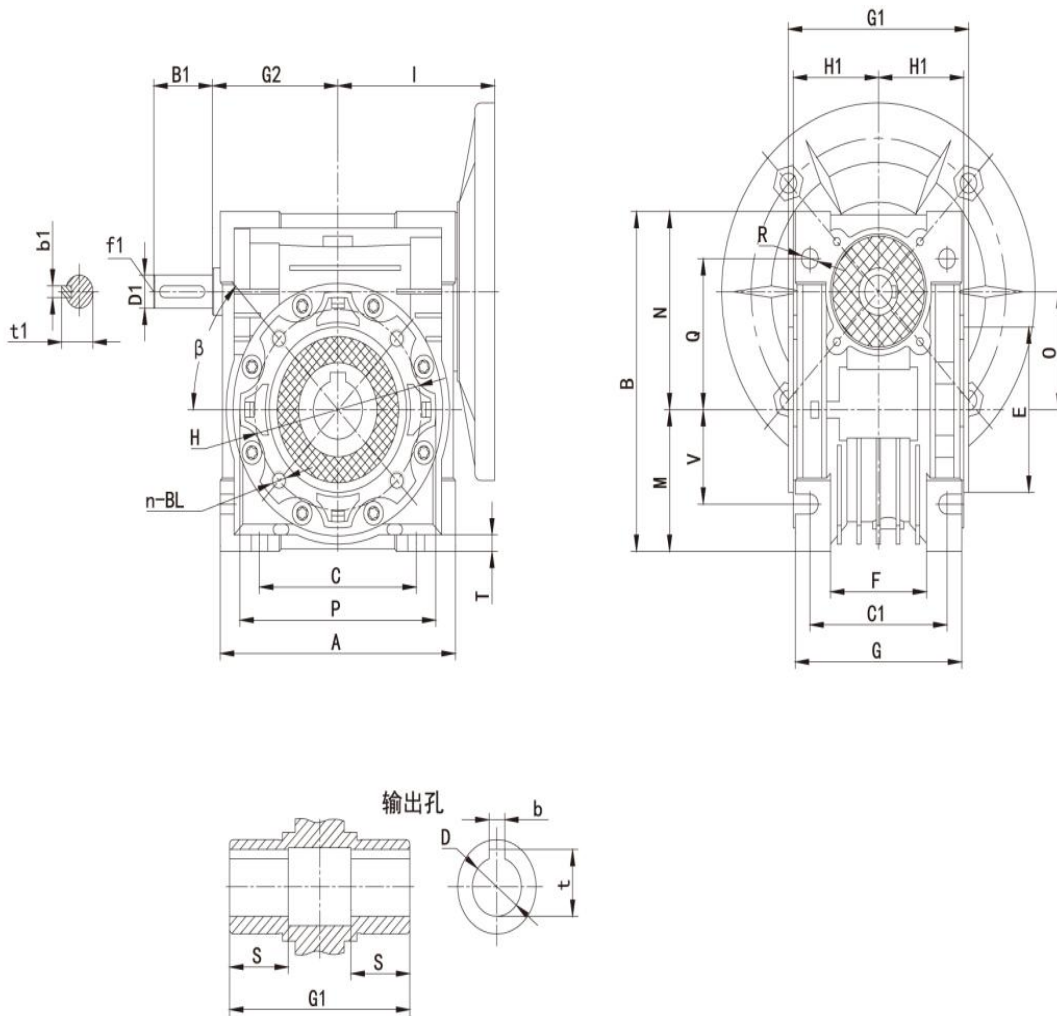
网址: <http://www.liangjinqb.com> 地址: 中国上海上海市松江区茜浦路 850 弄 33 号

NMRV 传动装置专业制造商
PROFESSIONAL MANUFACTURER OF TRANSMISSION DEVICE

系列

品质源于三凯 口碑自然来 WWW.SUNCARVE.COM

RV-E尺寸 / RV-E SIZE



RV-E	A	B	B1	C	C1	D(H8)	D1(j6)	E(h8)	F	G	G1	G2	H	H1	I	M	N	O	P	Q	R	S	T	BL	β	b	b1	t	t1	f1	V
030	80	97	20	54	44	14	9	55	32	56	63	45	65	29	55	40	57	30	75	44	6.5	21	5.5	M6X10 (n=4)	0°	5	3	16.3	10.2	-	27
040	100	121.5	23	70	60	18(19)	11	60	43	71	78	53	75	36.5	70	50	71.5	40	87	55	6.5	26	6.5	M6X10 (n=4)	45°	6	4	20.8(21.8)	12.5	-	35
050	120	144	30	80	70	25(24)	14	70	49	85	92	64	85	43.5	80	60	84	50	100	64	8.5	30	7	M8X12 (n=4)	45°	8	5	28.3(27.3)	16	M6	40
063	144	174	40	100	85	25(28)	19	80	67	103	112	75	95	53	95	72	102	63	110	80	8.5	36	8	M8X12 (n=8)	45°	8	6	28.3(31.3)	21.5	M6	50
075	172	205	50	120	90	28(35)	24	95	72	112	120	90	115	57	112.5	86	119	75	140	93	11	40	10	M8X14 (n=8)	45°	8(10)	8	31.3(38.3)	27	M8	60
090	206	238	50	140	100	35(38)	24	110	74	130	140	108	130	67	129.5	103	135	90	160	102	13	45	11	M10X16 (n=8)	45°	10	8	38.3(41.3)	27	M8	70
110	255	295	60	170	115	42	28	130	-	144	155	135	165	74	160	127.5	167.5	110	200	125	14	50	14	M10X18 (n=8)	45°	12	8	45.3	31	M10	85
130	293	335	80	200	120	45	30	180	-	155	170	155	215	81	179	146.5	187.5	130	250	140	16	60	15	M12X20 (n=8)	45°	14	8	48.8	33	M10	100
150	340	400	80	240	145	50	35	180	-	185	200	175	215	96	210	170	230	150	250	180	18	72.5	18	M12X22 (n=8)	45°	14	10	53.8	38	M12	120

全国直销服务热线 13916695992

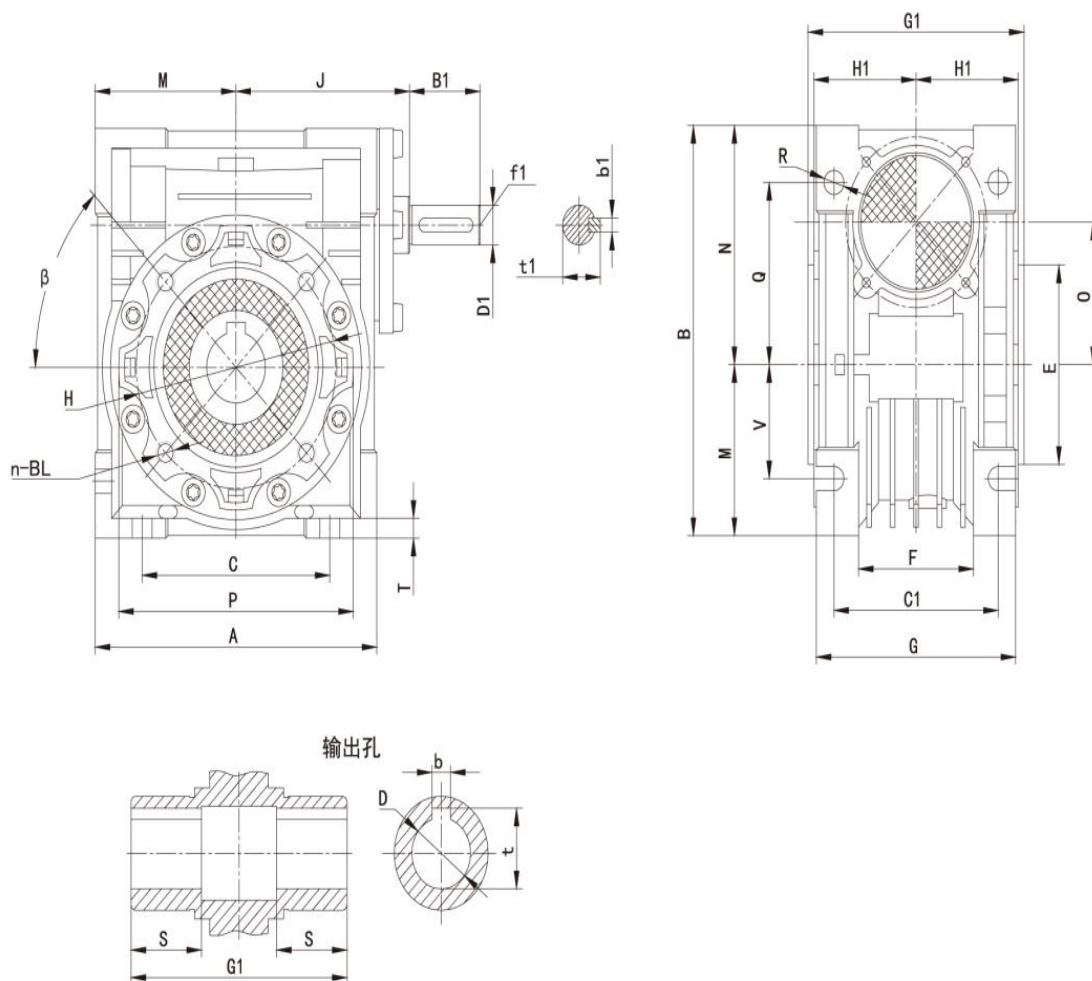
021-60538280

NMRV 传动装置专业制造商
PROFESSIONAL MANUFACTURER OF TRANSMISSION DEVICE

系列

品质薄三凯 口碑自然来 WWW.SUNCARVE.COM

NRV尺寸 / NRV SIZE



NRV	A	B	B1	C	C1	D (H8)	D1 (H8)	E (h8)	F	G	G1	H	H1	J	M	N	O	P	Q	R	S	T	BL	β	b	b1	t	t1	f1	V
030	80	97	20	54	44	14	9	55	32	56	63	65	29	51	40	57	30	75	44	6.5	21	5.5	M6X10 (n=4)	0°	5	3	16.3	10.2	-	27
040	100	121.5	23	70	60	18 (19)	11	60	43	71	78	75	36.5	60	50	71.5	40	87	55	6.5	26	6.5	M6X10 (n=4)	45°	6	4	20.8 (21.8)	12.5	-	35
050	120	144	30	80	70	25 (24)	14	70	49	85	92	85	43.5	74	60	84	50	100	64	8.5	30	7	M8X12 (n=4)	45°	8	5	28.3 (27.3)	16	M6	40
063	144	174	40	100	85	25 (28)	19	80	67	103	112	95	53	90	72	102	63	110	80	8.5	36	8	M8X12 (n=8)	45°	8	6	28.3 (31.3)	21.5	M6	50
075	172	205	50	120	90	28 (35)	24	95	72	112	120	115	57	105	86	119	75	140	93	11	40	10	M8X14 (n=8)	45°	8 (10)	8	31.3 (38.3)	27	M8	60
090	206	238	50	140	100	35 (38)	24	110	74	130	140	130	67	125	103	135	90	160	102	13	45	11	M10X16 (n=8)	45°	10	8	38.3 (41.3)	27	M8	70
110	255	295	60	170	115	42	28	130	-	144	155	165	74	142	127.5	167.5	110	200	125	14	50	14	M10X18 (n=8)	45°	12	8	45.3	31	M10	85
130	293	335	80	200	120	45	30	180	-	155	170	215	81	162	146.5	187.5	130	250	140	16	60	15	M12X20 (n=8)	45°	14	8	48.8	33	M10	100
150	340	400	80	240	145	50	35	180	-	185	200	215	96	195	170	230	150	250	180	18	72.5	18	M12X22 (n=8)	45°	14	10	53.8	38	M12	120

全国直销服务热线 13916695992 021-60538280

NMRV 传动装置专业制造商
PROFESSIONAL MANUFACTURER OF TRANSMISSION DEVICE

系列

品质源于自然来 WWW.SUNCARVE.COM



公司名称：上海梁瑾机电设备有限公司

联系人：杨少银 手机:13916695992

QQ:1774474796 3529250374 电话:021-60538280 传真:021-57872573

网址: <http://www.liangjinqb.com> 地址: 中国上海上海市松江区茜浦路 850 弄 33 号

NMRV

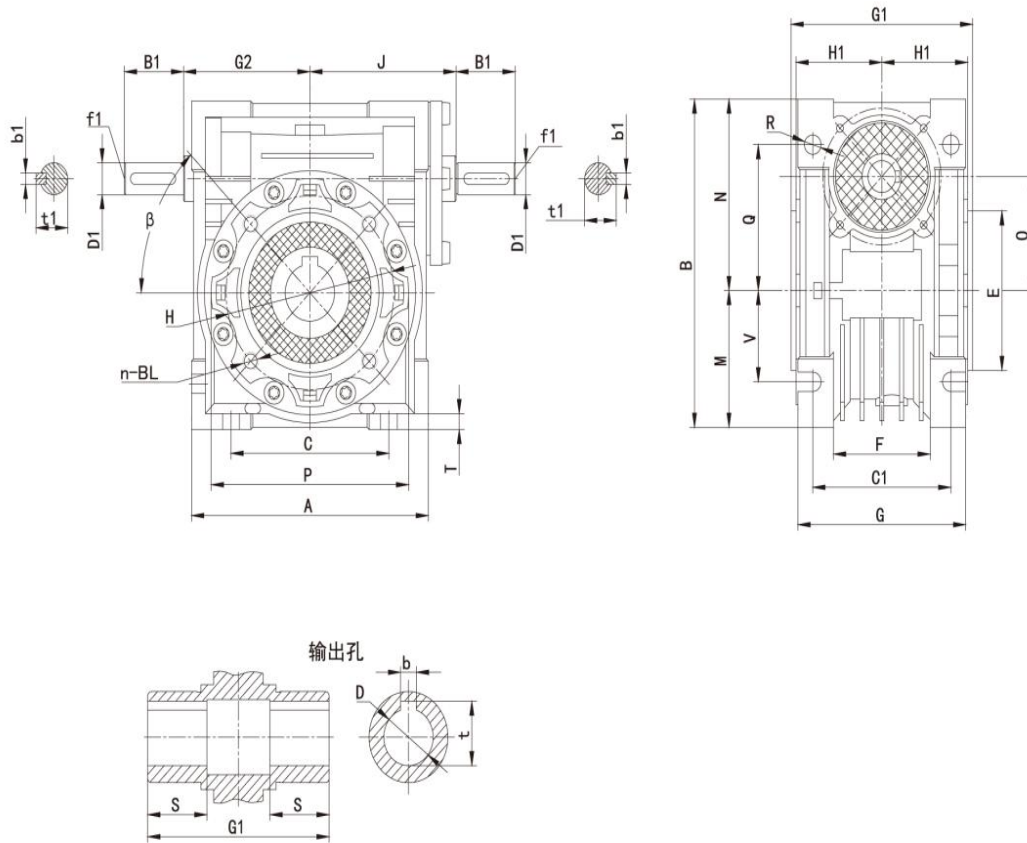
传动装置专业制造商

PROFESSIONAL MANUFACTURER OF TRANSMISSION DEVICE

系列

品质源三凯 口碑自然来 WWW.SUNCARVE.COM

NRV-E尺寸 / NRV-E SIZE



NRV-E	A	B	B1	C	C1	D(H8)	D1(H8)	E(h8)	F	G	G1	G2	H	H1	J	M	N	O	P	Q	R	S	T	BL	β	b	b1	t	t1	f1	V
030	80	97	20	54	44	14	9	55	32	56	63	45	65	29	51	40	57	30	75	44	6.5	21	5.5	M6X10 (n=4)	0°	5	3	16.3	10.2	-	27
040	100	121.5	23	70	60	18(19)	11	60	43	71	78	53	75	36.5	60	50	71.5	40	87	55	6.5	26	6.5	M6X10 (n=4)	45°	6	4	20.8 (21.8)	12.5	-	35
050	120	144	30	80	70	25(24)	14	70	49	85	92	64	85	43.5	74	60	84	50	100	64	8.5	30	7	M8X12 (n=4)	45°	8	5	28.3 (27.3)	16	M6	40
063	144	174	40	100	85	25(28)	19	80	67	103	112	75	95	53	90	72	102	63	110	80	8.5	36	8	M8X12 (n=8)	45°	8	6	28.3 (31.3)	21.5	M6	50
075	172	205	50	120	90	28(35)	24	95	72	112	120	90	115	57	105	86	119	75	140	93	11	40	10	M8X14 (n=8)	45°	8(10)	8	31.3(38.3)	27	M8	60
090	206	238	50	140	100	35(38)	24	110	74	130	140	108	130	67	125	103	135	90	160	102	13	45	11	M10X16 (n=8)	45°	10	8	38.3(41.3)	27	M8	70
110	255	295	60	170	115	42	28	130	-	144	155	135	165	74	142	127.5	167.5	110	200	125	14	50	14	M10X18 (n=8)	45°	12	8	45.3	31	M10	85
130	293	335	80	200	120	45	30	180	-	155	170	155	215	81	162	146.5	187.5	130	250	140	16	60	15	M12X20 (n=8)	45°	14	8	48.8	33	M10	100
150	340	400	80	240	145	50	35	180	-	185	200	175	215	96	195	170	230	150	250	180	18	72.5	18	M12X22 (n=8)	45°	14	10	53.8	38	M12	120

公司名称：上海梁瑾机电设备有限公司

联系人：杨少银 手机:13916695992

QQ:1774474796 3529250374 电话:021-60538280 传真:021-57872573

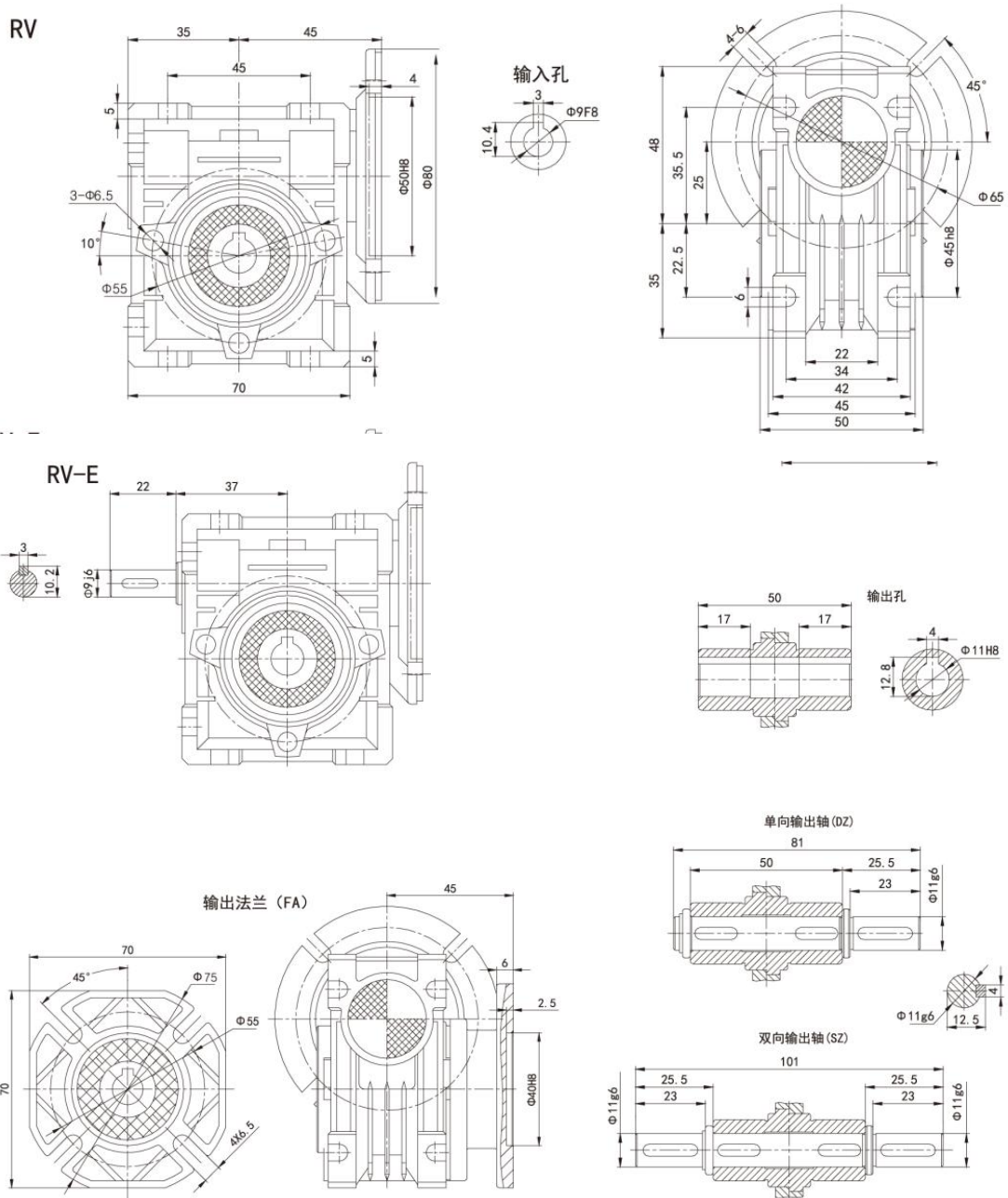
网址: <http://www.liangjinqb.com> 地址: 中国上海上海市松江区茜浦路 850 弄 33 号

NMRV 传动装置专业制造商
PROFESSIONAL MANUFACTURER OF TRANSMISSION DEVICE

系列

品质源于口碑自然来 WWW.SUNCARVE.COM

NMRV025 小机型 / NMRV025 SMALL MODEL



公司名称：上海梁瑾机电设备有限公司

联系人：杨少银 手机:13916695992

QQ:1774474796 3529250374 电话:021-60538280 传真:021-57872573

网址: <http://www.liangjinqb.com> 地址: 中国上海上海市松江区茜浦路 850 弄 33 号



NMRV 传动装置专业制造商
PROFESSIONAL MANUFACTURER OF TRANSMISSION DEVICE

系列

品质源于口碑自然来 WWW.SUNCARVE.COM

减速机选型表 / GEAR UNIT SELECTION TABLES

NMRV...IEC...性能参数 / PERFORMANCE PARAMETER

P_{in} (kw)	n_2 (r/min)	i	M_{2e} (Nm)	F_{12} (N)	f_s		
0.06	280	5	1.8	439	6.2	NMRV025 56B14	5614
	186.7	7.5	2.6	503	4.2		
	140	10	3.4	553	3.5		
	93.3	15	4.9	633	2.5		
	70	20	6.2	697	1.9		
	46.7	30	8.3	798	1.6		
	35	40	10	878	1.2		
	28	50	12	946	0.9		
	23.3	60	14	1006	0.7		
	186.7	7.5	2.6	683	7.0	NMRV030 56B5/B14	5614
	140	10	3.4	752	5.4		
	93.3	15	4.7	861	3.9		
	70	20	6	948	3.1		
	56	25	7	1021	3.1		
	46.7	30	8	1085	2.5		
	35	40	9.7	1194	1.9		
	28	50	11	1286	1.5		
	23.3	60	13	1367	1.3		
17.5	80	14	1504	0.9			

0.09	373.3	7.5	2.0	399	3.9	NMRV025 56B14	5612
	280	10	2.6	439	3.4		
	186.7	15	3.8	503	2.4		
	140	20	4.9	553	1.8		
	93.3	30	6.7	633	1.3		
	70	40	8.5	697	1.1		
	56	50	10	751	0.9	NMRV025 56B14	5624
	186.7	7.5	3.9	503	2.8		
	140	10	5.1	553	2.4		
	93.3	15	7.3	633	1.6		
	70	20	9.3	697	1.3		
	46.7	30	13	798	1.0		
	35	40	16	878	0.8	NMRV030 56B5/B14	5612
	373.3	7.5	2.0	542	6.5		
	280	10	2.6	597	5.0		
	186.7	15	3.7	683	3.5		
	140	20	4.7	752	2.5		
	112	25	5.5	810	2.9		
93.3	30	6.4	861	2.3			
70	40	8.0	948	1.8			
56	50	9.4	1021	1.4			
46.7	60	10	1085	1.1			
35	80	13	1194	0.9			

全国直销服务热线 13916695992 021-60538280

NMRV 传动装置专业制造商
PROFESSIONAL MANUFACTURER OF TRANSMISSION DEVICE

系列



品质源于自然 口碑自然来 WWW.SUNCARVE.COM

减速机选型表 / GEAR UNIT SELECTION TABLES

P_{1n} (kw)	n_2 (r/min)	i	M_{2n} (Nm)	F_{12} (N)	f_s		
0.09	186.7	7.5	3.9	683	4.7	NMRV030 56B5/B14	5624
	140	10	5.0	752	3.6		
	93.3	15	7.0	861	2.6		
	70	20	8.8	948	2.0		
	56	25	10	1021	2.1		
	46.7	30	12	1085	1.7		
	35	40	14	1194	1.2		
	28	50	17	1286	1.0		
	23.3	60	18	1367	0.9		
	28	50	19	2475	2.1		
	23.3	60	21	2630	1.7		
17.5	80	25	2895	1.3			
14	100	29	3118	1.0			
0.12	373.3	7.5	2.7	399	3.0	NMRV025 56B14	5622
	280	10	3.5	439	2.6		
	186.7	15	5.1	503	1.8		
	140	20	6.5	553	1.4		
	93.3	30	9.0	633	1.0		
	70	40	11	697	0.8		
	186.7	7.5	5.2	683	3.5	NMRV030 63B5/B14	6314
	140	10	6.6	752	2.7		
	93.3	15	9.3	861	1.9		
	70	20	12	948	1.5		
	56	25	14	1021	1.6		
	46.7	30	16	1085	1.3		
	35	40	19	1194	0.9		
	28	50	22	1286	0.8		
	46.7	30	17	2087	2.7		
	35	40	21	2298	1.9		
	28	50	25	2475	1.6		
	23.3	60	28	2630	1.3		
	17.5	80	33	2895	1.0		
	14	100	38	3118	0.8		
23.3	60	29	3610	2.3	NMRV050 63B5	6314	
17.5	80	35	3973	1.9			
14	100	39	4280	1.4			
0.18	373.3	7.5	4.0	542	3.2	NMRV030 63B5/B14	6312
	280	10	5.2	597	2.5		
	186.7	15	7.4	683	1.8		
	140	20	9.5	752	1.3		
	112	25	11	810	1.4		
	93.3	30	13	861	1.2		
	70	40	16	948	0.9		
	186.7	7.5	7.7	683	2.3	NMRV030 63B5/B14	6324
	140	10	10	752	1.8		
	93.3	15	14	861	1.3		
	70	20	18	948	1.0		
	56	25	20	1021	1.0		
	46.7	30	24	1085	0.8		




全国直销服务热线 13916695992 021-60538280

减速机选型表 / GEAR UNIT SELECTION TABLES

P_{1m} (kw)	n_2 (r/min)	i	M_{2m} (Nm)	F_{t2} (N)	f_s		
0.18	93.3	30	14	1657	2.5	NMRV040 63B5/B14	6312
	70	40	17	1824	1.8		
	56	50	21	1964	1.4		
	70	20	19	1824	2.1	NMRV040 63B5/B14	6324
	56	25	23	1964	1.7		
	46.7	30	25	2087	1.8		
	35	40	32	2298	1.3		
	28	50	37	2475	1.0		
	23.3	60	42	2630	0.9		
	45	20	28	2113	1.6	NMRV040 71B5/B14	7116
	36	25	34	2276	1.3		
	30	30	38	2419	1.3		
	22.5	40	47	2662	1.0		
	46.7	60	24	2865	2.1	NMRV050 63B5	6312
	35	80	30	3153	1.5		
	28	100	34	3397	1.2		
	35	40	33	3153	2.3	NMRV050 63B5	6324
	28	50	39	3397	1.9		
	23.3	60	43	3610	1.6		
	17.5	80	52	3973	1.2		
14	100	59	4280	0.9			
18	50	56	3936	1.4			
15	60	63	4183	1.1	NMRV050 71B5/B14	7116	
11.3	80	75	4604	0.9			
15	60	66	5467	2.1			
11.3	80	79	6018	1.6	NMRV063 71B5/B14	7116	
9	100	90	6270	1.4			
0.25	373.3	7.5	5.6	542	2.3	NMRV030 63B5/B14	6322
	280	10	7.2	597	1.8		
	186.7	15	10	683	1.3		
	140	20	13	752	0.9		
	112	25	15	810	1.0		
	93.3	30	18	861	0.8	NMRV040 71B5/B14	7114
	186.7	7.5	11	1315	3.6		
	140	10	14	1447	2.8		
	93.3	15	20	1657	2.0		
	70	20	26	1824	1.5		
	56	25	32	1964	1.2		
	46.7	30	35	2087	1.3	NMRV040 71B5/B14	7126
	35	40	44	2298	0.9		
	120	7.5	17	1524	2.6		
	90	10	22	1677	2.0		
	60	15	31	1920	1.4		
	45	20	39	2113	1.1		
36	25	48	2276	0.9			
30	30	53	2419	0.9			



全国直销服务热线 13916695992 021-60538280

减速机选型表 / GEAR UNIT SELECTION TABLES

P_{in} (kw)	n_2 (r/min)	i	M_{2n} (Nm)	F_{t2} (N)	f_s			
0.25	35	80	42	3153	1.1	NMRV050	63B5/B14	6322
	28	100	48	3397	0.8			
	70	20	27	2503	2.7			
	56	25	32	2696	2.2			
	46.7	30	36	2865	2.3			
	35	40	46	3153	1.7	NMRV050	71B5/B14	7114
	28	50	54	3397	1.4			
	23.3	60	60	3610	1.1			
	17.5	80	72	3973	0.9			
	45	20	40	2900	1.9			
	36	25	48	3124	1.5	NMRV050	71B5/B14	7126
	30	30	54	3320	1.7			
	22.5	40	67	3654	1.2			
	18	50	78	3936	1.0			
	15	60	88	4183	0.8			
	28	50	55	4440	2.4	NMRV063	71B5/B14	7114
	23.3	60	63	4719	2.0			
	17.5	80	76	5193	1.6			
	14	100	87	5595	1.4			
	18	50	81	5145	1.8			
15	60	92	5467	1.5	NMRV063	71B5/B14	7126	
11.3	80	110	6018	1.2				
9	100	125	6270	1.0				
17.5	80	80	6130	2.4				
14	100	94	6603	1.9				
11.3	80	117	7103	1.7	NMRV075	71B5	7114	
9	100	133	7380	1.4				
0.37	373.3	7.5	8.3	1044	3.4	NMRV040	71B5/B14	7112
	280	10	11	1149	2.6			
	186.7	15	16	1315	1.9			
	140	20	20	1447	1.4			
	112	25	25	1559	1.1			
	186.7	7.5	16	1315	2.5	NMRV040	71B5/B14	7124
	140	10	21	1447	1.9			
	93.3	15	30	1657	1.3			
	70	20	39	1824	1.0			
	56	25	47	1964	0.8			
	46.7	30	52	2087	0.9	NMRV050	71B5/B14	7112
	112	25	25	2140	2.0			
	93.3	30	29	2274	2.2			
	70	40	37	2503	1.6			
	56	50	44	2696	1.2			
	46.7	60	50	2865	1.0	NMRV050	71B5/B14	7124
	35	80	62	3153	0.7			
	140	10	21	1987	3.4			
93.3	15	31	2274	2.4				
70	20	39	2503	1.9				

全国直销服务热线 13916695992 021-60538280



减速机选型表 / GEAR UNIT SELECTION TABLES

P_{in} (kw)	n_2 (r/min)	i	M_{in} (Nm)	F_{t2} (N)	f_s		
0.37	56	25	47	2696	1.5	NMRV050 71B5/B14	7124
	46.7	30	54	2865	1.6		
	35	40	68	3153	1.1		
	28	50	80	3397	0.9		
	23.3	60	89	3610	0.8		
	120	7.5	25	2091	3.4	NMRV050 80B5/B14	8016
	90	10	33	2302	2.6		
	60	15	47	2635	1.8		
	45	20	59	2900	1.3		
	36	25	72	3124	1.0		
	30	30	80	3320	1.1	NMRV063 71B5/B14	7124
	35	40	70	4122	2.1		
	28	50	82	4440	1.6		
	23.3	60	94	4719	1.4		
	17.5	80	113	5193	1.1		
	14	100	129	5595	0.9	NMRV063 80B5/B14	8016
	45	20	60	3791	2.4		
	36	25	73	4084	1.9		
	30	30	82	4339	2.1		
	22.5	40	102	4776	1.6		
18	50	120	5145	1.2	NMRV075 71B5	7124	
15	60	137	5467	1.0			
23.3	60	97	5569	2.1			
17.5	80	119	6130	1.6			
14	100	139	6603	1.3			
18	50	124	6073	1.8	NMRV075 80B5/B14	8016	
15	60	141	6453	1.5			
11.3	80	173	7103	1.2			
9	100	196	7380	1.0			
11.3	80	185	7859	1.7			
9	100	212	8180	1.3	NMRV090 80B5/B14	8016	
0.55	373.3	7.5	12	1044	2.3	NMRV040 71B5/B14	7122
	280	10	16	1149	1.8		
	186.7	15	24	1315	1.3		
	140	20	30	1447	1.0		
	112	25	37	1559	0.8		
	140	20	31	1987	1.7	NMRV050 71B5/B14	7122
	112	25	38	2140	1.4		
	93.3	30	43	2274	1.5		
	70	40	55	2503	1.1		
	56	50	65	2696	0.8		
	46.7	60	74	2865	0.7	NMRV050 80B5/B14	8014
	186.7	7.5	24	1805	2.9		
	140	10	32	1987	2.3		
	93.3	15	46	2274	1.6		
	70	20	59	2503	1.2		
56	25	70	2696	1.0			
46.7	30	80	2865	1.1			

全国直销服务热线 13916695992



021-60538280

减速机选型表 / GEAR UNIT SELECTION TABLES

P_{in} (kw)	n_2 (r/min)	i	M_{2m} (Nm)	F_{t2} (N)	f_s					
0.55	120	7.5	37	2091	2.3	NMRV050	80B5/B14	8026		
	90	10	48	2302	1.7					
	60	15	69	2635	1.2					
	45	20	88	2900	0.9					
	70	40	56	3272	1.9	NMRV063	71B5/B14	7122		
	56	50	68	3524	1.5					
	46.7	60	78	3745	1.2					
	35	80	96	4122	0.9					
	28	100	111	4440	0.7	NMRV063	80B5/B14	8014		
	70	20	60	3272	2.2					
	56	25	72	3524	1.8					
	46.7	30	82	3745	1.9					
	35	40	104	4122	1.4	NMRV063	80B5/B14	8026		
	28	50	122	4440	1.1					
	23.3	60	140	4719	0.9					
	60	15	70	3444	2.2					
	45	20	90	3791	1.6	NMRV063	80B5/B14	8026		
	36	25	108	4084	1.3					
	30	30	123	4339	1.4					
	22.5	40	152	4776	1.1					
35	80	99	4865	1.3	NMRV075	71B5	7122			
28	100	116	5241	1.0						
35	40	108	4865	2.0				NMRV075	80B5/B14	8014
28	50	128	5241	1.6						
23.3	60	144	5569	1.4						
17.5	80	177	6130	1.1						
14	100	206	6603	0.9	NMRV075	80B5/B14	8026			
30	30	124	5122	2.1						
22.5	40	156	5637	1.5						
18	50	184	6073	1.2						
15	60	210	6453	1.0	NMRV090	80B5/B14	8014			
17.5	80	189	6783	1.5						
14	100	221	7306	1.2						
18	50	196	6719	2.0						
15	60	224	7140	1.6	NMRV090	80B5/B14	8026			
11.3	80	275	7859	1.1						
9	100	315	8180	0.9						
17.5	80	201	8571	2.6						
14	100	236	9232	2.0	NMRV110	80B5	8014			
11.3	80	294	9931	1.9						
9	100	344	10320	1.5	NMRV110	80B5	8026			




全国直销服务热线 13916695992 021-60538280

减速机选型表 / GEAR UNIT SELECTION TABLES

P_{12} (kw)	n_2 (r/min)	i	M_{22} (Nm)	F_{12} (N)	f_s												
0.75	373.3	7.5	17	1433	3.0	NMRV050	80B5/B14	8012									
	280	10	22	1577	2.4												
	186.7	15	31	1805	1.7												
	140	20	41	1987	1.3												
	112	25	49	2140	1.0												
	93.3	30	56	2274	1.1												
	280	5	23	1577	2.7	NMRV050	80B5/B14	8024									
	186.7	7.5	33	1805	2.1												
	140	10	43	1987	1.7												
	93.3	15	62	2274	1.2												
	70	20	80	2503	0.9												
	140	20	43	2597	2.3												
	112	25	52	2797	1.8	NMRV063	80B5/B14	8012									
	93.3	30	60	2973	2.0												
	70	40	77	3272	1.4												
	56	50	92	3524	1.1												
	46.7	60	106	3745	0.9												
	93.3	15	63	2973	2.2												
	70	20	82	3272	1.6	NMRV063	80B5/B14	8024									
	56	25	98	3524	1.3												
	46.7	30	112	3745	1.4												
	35	40	141	4122	1.0												
	120	7.5	51	2734	2.9												
	90	10	67	3009	2.3												
	60	15	96	3444	1.6	NMRV063	90B5/B14	90S6									
	45	20	123	3791	1.2												
	36	25	147	4084	0.9												
	30	30	167	4339	1.0												
	46.7	60	107	4421	1.3				NMRV075	80B5/B14	8012						
	35	80	135	4865	1.0												
28	100	159	5241	0.8													
56	25	101	4160	2.0													
46.7	30	117	4421	2.0													
35	40	147	4865	1.5													
28	50	174	5241	1.2	NMRV075	80B5/B14	8024										
23.3	60	196	5569	1.0													
60	15	97	4065	2.4													
45	20	124	4474	1.9													
36	25	149	4820	1.4													
30	30	170	5122	1.5													
22.5	40	213	5637	1.1	NMRV075	90B5/B14	90S6										
35	80	143	5383	1.6													
28	100	169	5799	1.2													
28	50	182	5799	1.9													
23.3	60	209	6163	1.5													
17.5	80	258	6783	1.1													
14	100	302	7306	0.9	NMRV090	80B5/B14	8012										
28	100	169	5799	1.2													
28	50	182	5799	1.9													
23.3	60	209	6163	1.5													
17.5	80	258	6783	1.1													
14	100	302	7306	0.9													
NMRV090	80B5/B14	8024	23.3	60	209	6163	1.5										
								17.5	80	258	6783	1.1					
													14	100	302	7306	0.9



全国直销服务热线 13916695992 021-60538280

减速机选型表 / GEAR UNIT SELECTION TABLES

P_{1n} (kw)	n_2 (r/min)	i	M_{2n} (Nm)	F_{12} (N)	f_s			
0.75	30	30	179	5667	2.6	NMRV090	90B5B14	90S6
	22.5	40	226	6238	1.8			
	18	50	267	6719	1.5			
	15	60	306	7140	1.1			
	17.5	80	274	8571	1.9	NMRV110	80B5	8024
	14	100	322	9232	1.5			
	15	60	325	9023	2.1	NMRV110	90B5	90S6
	11.3	80	401	9931	1.4			
	9	100	470	10320	1.1			
	11.3	80	401	12989	2.1	NMRV130	90B5	90S6
9	100	470	13500	1.7				
	373.3	7.5	25	1433	2.1	NMRV050	80B5/B14	8022
	280	10	33	1577	1.7			
	186.7	15	48	1805	1.2			
	140	20	62	1987	0.9			
	186.7	15	46	2359	2.1	NMRV063	80B5/B14	8022
	140	20	60	2597	1.6			
	112	25	72	2797	1.2			
	93.3	30	82	2973	1.4			
	70	40	104	3272	1.0			
1.1	120	7.5	75	2734	2.0	NMRV063	90B5/B14	90L6
	90	10	98	3009	1.6			
	60	15	140	3444	1.1			
	45	20	180	3791	0.8			
	186.7	7.5	50	2359	2.6	NMRV063	90B5/B14	90S4
	140	10	65	2597	2.0			
	93.3	15	92	2973	1.5			
	70	20	120	3272	1.1			
	56	25	144	3524	0.9			
	46.7	30	164	3745	1.0			
	112	25	77	3302	2.0	NMRV075	80B5/B14	8022
	93.3	30	89	3509	1.9			
	70	40	114	3862	1.4			
	56	50	137	4160	1.1			
	46.7	60	158	4421	0.9			
	90	10	98	3551	2.3	NMRV075	90B5/B14	90L6
	60	15	142	4065	1.7			
	45	20	182	4474	1.3			
36	25	219	4820	1.0				
30	30	249	5122	1.0				



全国直销服务热线 13916695992 021-60538280

减速机选型表 / GEAR UNIT SELECTION TABLES

P_{in} (kw)	n_2 (r/min)	i	M_{2n} (Nm)	F_{v2} (N)	f_s			
1.1	93.3	15	95	3509	2.1	NMRV075	90B5/B14	90S4
	70	20	122	3862	1.7			
	56	25	148	4160	1.3			
	46.7	30	171	4421	1.3			
	35	40	216	4865	1.0			
	35	80	210	5383	1.1	NMRV090	80B5/B14	8022
	28	100	248	5799	0.8			
	36	25	228	5333	1.6			
	30	30	263	5667	1.8	NMRV090	90B5/B14	90L6
	22.5	40	331	6238	1.2			
	18	50	391	6719	1.0			
	15	60	448	7140	0.8			
	35	40	222	5383	1.6			
	28	50	266	5799	1.3			
	23.3	60	306	6163	1.0			
	22.5	40	345	7882	2.3	NMRV110	90B5	90L6
	18	50	414	8491	1.8			
	15	60	476	9023	1.4			
	11.3	80	588	9931	1.0			
	28	50	278	7328	2.4	NMRV110	90B5	90S4
23.3	60	324	7787	1.9				
17.5	80	402	8571	1.3				
14	100	473	9232	1.0				
11.3	80	588	12989	1.5				
9	100	689	13500	1.1	NMRV130	90B5	90L6	
17.5	80	408	11210	2.1				
14	100	480	12076	1.5	NMRV130	90B5	90S4	
1.5	373.3	7.5	34	1433	1.5	NMRV050	80B5/B14	8032
	280	10	45	1577	1.2			
	186.7	15	65	1805	0.9			
	186.7	7.5	68	2359	1.9	NMRV063	90B5/B14	90L4
	140	10	88	2597	1.5			
	93.3	15	126	2973	1.1			
	70	20	164	3272	0.8			
	373.3	7.5	35	1873	2.7			
	280	10	45	2061	2.2	NMRV063	90B5/B14	90S2
	186.7	15	66	2359	1.6			
	140	20	86	2597	1.2	NMRV063	90B5/B14	90S2
	112	25	105	2797	0.9			
	93.3	30	120	2973	1.0			
	120	7.5	103	3227	2.1			
	90	10	134	3551	1.7	NMRV075	100B5/B14	100L6
	60	15	193	4065	1.2			
	56	50	187	4160	1.3			
	46.7	60	215	4421	1.1	NMRV075	90B5/B14	90S2
	140	10	89	3065	2.2			
	93.3	15	129	3509	1.6	NMRV075	90B5/B14	90L4
70	20	166	3862	1.3				
56	25	202	4160	1.0				



全国直销服务热线 13916695992 021-60538280

减速机选型表 / GEAR UNIT SELECTION TABLES

P_{1n} (kw)	n_2 (r/min)	i	M_{2n} (Nm)	F_{t2} (N)	f_s			
1.5	46.7	30	233	4421	1.0	NMRV075	90B5/B14	90L4
	280	10	45	2433	3.2	NMRV075	90B5/B14	90S2
	186.7	15	66	2785	2.3			
	140	20	86	3065	1.9			
	112	25	105	3302	1.4			
	93.3	30	121	3509	1.4			
	70	40	156	3862	1.1			
	90	10	137	3929	2.7	NMRV090	100B5/B14	100L6
	60	15	198	4498	2.1			
	45	20	258	4951	1.5			
	36	25	310	5333	1.2			
	30	30	358	5667	1.3			
	70	20	170	4273	2.1			
	56	25	207	4603	1.6	NMRV090	90B5/B14	90L4
	46.7	30	239	4891	1.7			
	35	40	303	5383	1.2			
	28	50	363	5799	0.9			
	23.3	60	417	6163	0.8			
56	50	197	4603	1.3				
46.7	60	227	4891	1.1	NMRV090	90B5/B14	90S2	
1.5	45	20	264	6256	2.7	NMRV110	100B5	100L6
	36	25	322	6739	2.4			
	30	30	363	7161	2.3			
	22.5	40	471	7882	1.7			
	18	50	565	8491	1.3			
	15	60	649	9023	1.1			
	35	40	315	6803	2.2	NMRV110	90B5	90L4
	28	50	379	7328	1.7			
	23.3	60	442	7787	1.4			
	17.5	80	548	8571	0.9			
	46.7	60	236	6181	2.0			
	35	80	299	6803	1.3			
	28	100	358	7328	1.0	NMRV110	90B5	90S2
	22.5	40	471	10309	2.3			
	18	50	565	11105	1.9			
	15	60	659	11801	1.4			
	11.3	80	802	12989	1.1			
	17.5	80	557	11210	1.5			
14	100	655	12076	1.1	NMRV130	90B5	90L4	
2.2	373.3	7.5	51	1873	1.8	NMRV063	90B5/B14	90L2
	280	10	66	2061	1.5			
	186.7	15	97	2359	1.1			
	186.7	7.5	99	2785	1.9	NMRV075	100B5/B14	100L1-4
	140	10	131	3065	1.5			
	93.3	15	189	3509	1.1			
	373.3	7.5	50	2210	2.6			
	280	10	66	2433	2.2	NMRV075	90B5/B14	90L2
	186.7	15	97	2785	1.5			
	140	20	126	3065	1.3			



全国直销服务热线 13916695992 021-60538280

减速机选型表 / GEAR UNIT SELECTION TABLES

P_{1n} (kw)	n_2 (r/min)	i	M_{2n} (Nm)	F_{12} (N)	f_s			
	112	25	154	3302	1.0	NMRV075	100B5/B14	90L2
	93.3	30	178	3509	1.0			
	186.7	7.5	100	3081	2.9			
	140	10	132	3391	2.3	NMRV090	100B5/B14	100L1-4
	93.3	15	191	3882	1.9			
	70	20	249	4273	1.4			
	56	25	304	4603	1.1			
	46.7	30	351	4891	1.2			
	120	7.5	154	3570	2.2			
	90	10	201	3929	1.8	NMRV090	112B5/B14	112M6
	60	15	291	4498	1.4			
	45	20	378	4951	1.0			
	140	20	129	3391	2.0	NMRV090	90B5/B14	90L2
	112	25	159	3653	1.6			
	93.3	30	185	3882	1.7			
	70	40	237	4273	1.2			
	56	50	289	4603	0.9			
	70	20	255	5399	2.5			
56	25	311	5816	2.2	NMRV110	100B5	100L1-4	
46.7	30	356	6181	2.0				
35	40	462	6803	1.5				
28	50	555	7328	1.2				
23.3	60	648	7787	1.0				
2.2	90	10	203	4965	3.5	NMRV110	112B5	112M6
	60	15	294	5684	2.6			
	45	20	388	6256	1.9			
	36	25	473	6739	1.6			
	30	30	532	7161	1.6			
	112	25	161	4616	3.1			
	93.3	30	187	4905	3.0			
	70	40	243	5399	2.2			
	56	50	296	5816	1.7			
	46.7	60	347	6181	1.4			
	35	40	468	8897	2.2			
	28	50	563	9584	1.7	NMRV130	100B5	100L1-4
	23.3	60	657	10185	1.4			
	17.5	80	816	11210	1.0			
	36	25	473	8814	2.2			
	30	30	539	9366	2.2			
	22.5	40	691	10309	1.6			
	18	50	829	11105	1.3	NMRV130	112B5	112M6
	15	60	966	11801	1.0			
	35	80	444	8897	1.3			
	28	100	525	9584	1.0			
	28	50	570	13103	2.5			
	23.3	60	657	13924	1.9			
	17.5	80	816	15325	1.4	NMRV150	100B5	100L1-4
	14	100	960	16508	1.0			



全国直销服务热线 13916695992 021-60538280

减速机选型表 / GEAR UNIT SELECTION TABLES

P_{in} (kw)	n_2 (r/min)	i	M_{2m} (Nm)	F_{r2} (Nm)	fs					
3.0	373.3	7.5	68	2210	1.9	NMRV075 100B5/B14	100L2			
	280	10	90	2433	1.6					
	186.7	7.5	135	2785	1.4	NMRV075 100B5/B14	100L2-4			
	140	10	178	3065	1.1					
	93.3	15	258	3509	0.8					
	373.3	7.5	70	2446	3.0					
	280	10	92	2692	2.6	NMRV090 100B5/B14	100L2			
	186.7	7.5	137	3081	2.1					
	140	10	180	3391	1.7	NMRV090 100B5/B14	100L2-4			
	93.3	15	261	3882	1.4					
	70	20	340	4273	1.0					
	56	25	414	4603	0.8					
	46.7	30	479	4891	0.9					
	93.3	15	264	4905	2.5					
	70	20	348	5399	1.9					
	56	25	425	5816	1.6					
	46.7	30	485	6181	1.5	NMRV110 100B5	100L2-4			
	35	40	630	6803	1.1					
	28	50	757	7328	0.9					
	120	7.5	210	4511	3.1					
	90	10	277	4965	2.6	NMRV110 132B5	132S6			
	60	15	401	5684	1.9					
	45	20	528	6256	1.4					
	56	25	430	7607	2.2					
	46.7	30	491	8084	2.1	NMRV130 100B5	100L2-4			
	35	40	638	8897	1.6					
	28	50	767	9584	1.3					
	23.3	60	896	10185	1.0					
17.5	80	1113	11210	0.8						
3.0	90	10	277	6494	3.5	NMRV130 132B5	132S6			
	60	15	406	7434	2.6					
	45	20	528	8182	2.0					
	36	25	645	8814	1.6					
	30	30	735	9366	1.6					
	22.5	40	942	10309	1.2					
	28	50	778	13103	1.8	NMRV150 100B5	100L2-4			
	23.3	60	896	13924	1.4					
	17.5	80	1113	15325	1.0					
	14.0	100	1310	16508	0.8					
	4.0	373.3	7.5	91	2210			1.4	NMRV075 112B5/B14	112M2
		280	10	120	2433			1.2		
186.7		7.5	180	2785	1.0	NMRV075 112B5/B14	112M4			
140		10	237	3065	0.8					
373.3		7.5	93	2446	2.3	NMRV090 112B5/B14	112M2			
280		10	123	2692	1.9					
186.7		7.5	182	3081	1.6	NMRV090 112B5	112M4			
140		10	240	3391	1.3					
93.3		15	348	3882	1.0					
70		20	453	4273	0.8					

全国直销服务热线 13916695992 021-60538280

减速机选型表 / GEAR UNIT SELECTION TABLES

P_{1n} (kw)	n_2 (r/min)	i	M_{2n} (Nm)	F_{12} (N)	f_s		
4.0	140	10	240	4285	2.5	NMRV110	112B5 112M4
	93.3	15	352	4905	1.9		
	70	20	464	5399	1.4		
	56	25	566	5816	1.2		
	46.7	30	647	6181	1.1		
	120	7.5	280	4511	2.3	NMRV110	132B5 132M1-6
	90	10	369	4965	1.9		
	60	15	535	5684	1.4		
	56	25	573	7607	1.6		
	46.7	30	655	8084	1.6	NMRV130	112B5 112M4
	35	40	851	8897	1.2		
	28	50	1023	9584	1.0		
	23.3	60	1195	10185	0.8		
	120	7.5	283	5901	3.1	NMRV130	132B5 132M1-6
	90	10	369	6494	2.6		
	60	15	541	7434	2.0		
	45	20	705	8182	1.5		
	36	25	860	8814	1.2		
	28	50	1037	13103	1.4		
	23.3	60	1195	13924	1.1	NMRV150	112B5 112M4
17.5	80	1484	15325	0.8			
5.5	186.7	7.5	250	3893	2.2	NMRV110	132B5 132S4
	140	10	330	4285	1.8		
	93.3	15	484	4905	1.4		
	70	20	638	5399	1.0		
	140	10	334	5605	2.5	NMRV130	132B5 132S4
	93.3	15	490	6416	1.9		
	70	20	638	7062	1.4		
	56	25	788	7607	1.2		
	46.7	30	900	8084	1.2		
	35	40	1171	8897	0.9		
	70	20	645	9654	2.0	NMRV150	132B5 132S4
	56	25	788	10400	1.5		
	46.7	30	934	11051	1.3		
	35.0	40	1171	12163	1.3		
28.0	50	1426	13103	1.0			
23.3	60	1643	13924	0.8			
7.5	186.7	7.5	341	3893	1.6	NMRV110	132B5 132M4
	140	10	450	4285	1.3		
	93.3	15	660	4905	1.0		
	186.7	7.5	345	5092	2.2	NMRV130	132B5 132M4
	140	10	455	5605	1.8		
	93.3	15	668	6416	1.4		
	70	20	870	7062	1.0		
	56	25	1074	7607	0.9		
	46.7	30	1228	8084	0.8		
	35	40	1596	8897	0.7		
	70	20	880	9654	1.5	NMRV150	132B5 132M4
	56	25	1074	10400	1.1		



全国直销服务热线 **13916695992**

021-60538280

NMRV 传动装置专业制造商
PROFESSIONAL MANUFACTURER OF TRANSMISSION DEVICE

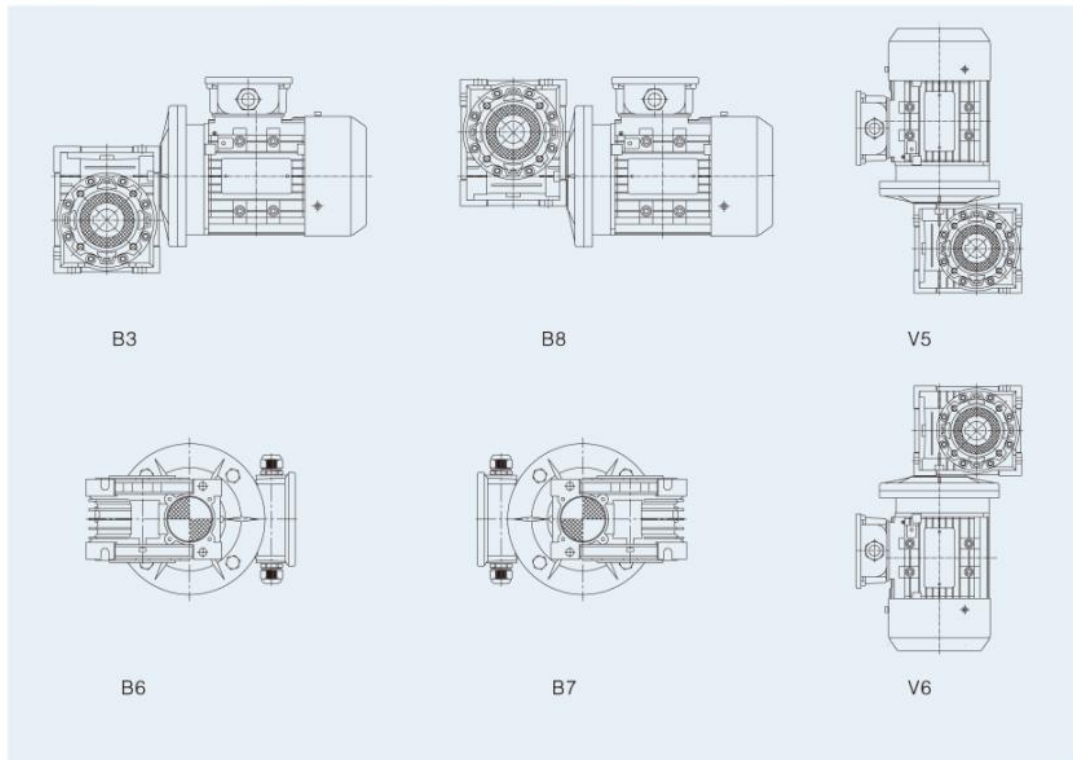
系列

品质源于三凯 口碑自然来 WWW.SUNCARVE.COM

P_{in} (kw)	n_2 (r/min)	i	M_{2e} (Nm)	F_{12} (N)	f_s			
7.5	46.7	30	1274	11051	0.9	NMRV150	132B5	132M4
	35	40	1596	12163	1.0			
11	186.7	7.5	512	6962	2.3	NMRV150	160B5	160M4
	140	10	675	7663	1.8			
	93.3	15	990	8771	1.3			
	70.0	20	1291	9654	1.0			
	56.0	25	1576	10400	0.8			
15	186.7	7.5	698	6962	1.7	NMRV150	160B5	160L4
	140	10	921	7663	1.3			
	93.3	15	1351	8771	0.9			
	70.0	20	1760	9654	0.7			

减速机安装方位 / GEAR BOX INSTALLATION POSITION

NMRV与电机安装方位 / NMRV AND MOTOR MOUNTING POSITION



注: 如在订货时无特别说明, 将按B3安装方式供货。
Note: if there is no special instructions to B3 standards for installation.

公司名称: 上海梁瑾机电设备有限公司
 联系人: 杨少银 手机:13916695992
 QQ:1774474796 3529250374 电话:021-60538280 传真:021-57872573
 网址: <http://www.liangjinqb.com> 地址: 中国上海上海市松江区茜浦路 850 弄 33 号
 地址: 中国上海上海市松江区茜浦路 850 弄 33 号

NMRV配件系列 / NMRV ACCESSORIES SERIES

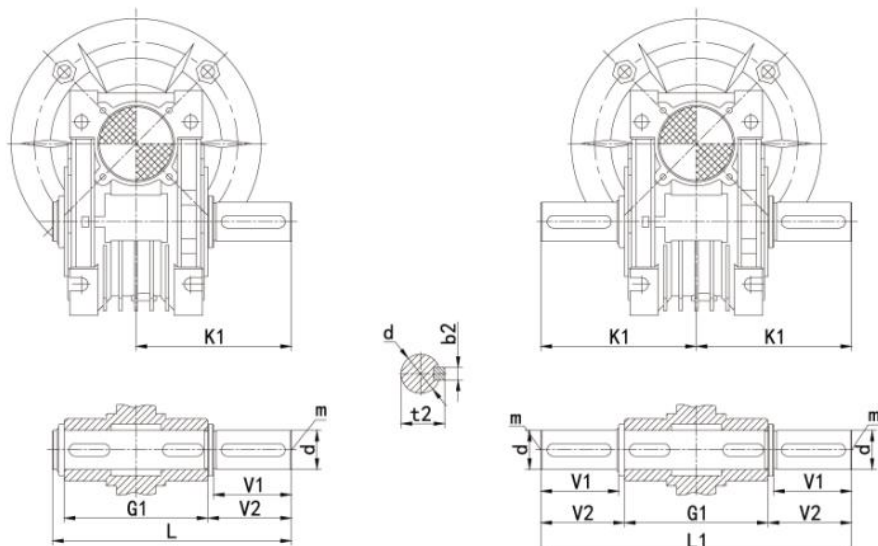
输出轴尺寸 / OUTPUT SHAFT SIZE



单向输出轴 (DZ)



双向输出轴 (SZ)



NMRV	G1	K1	L	L1	b2	l2	d(h6)	m	V1	V2
030	63	64	102	128	5	16	14	M6	30	32.5
040	78	82	128	164	6	20.5	18	M6	40	43
050	92	99.5	153	199	8	28	25	M10	50	53.5
063	112	109.5	173	219	8	28	25	M10	50	53.5
075	120	123.5	192	247	8	31	28	M10	60	63.5
090	140	154.5	234	309	10	38	35	M12	80	84.5
110	155	162	249	324	12	45	42	M16	80	84.5
130	170	170	265	340	14	48.5	45	M16	80	85
150	200	187	297	374	14	53.5	50	M16	82	87

全国直销服务热线 13616695992 021-60538280

NMRV

传动装置专业制造商

PROFESSIONAL MANUFACTURER OF TRANSMISSION DEVICE

系列

品质源于口碑自然来 WWW.SUNCARVE.COM

NMRV配件系列 / NMRV ACCESSORIES SERIES

输出法兰 (F) 尺寸 / OUTPUT FLANGE DIMENSIONS (F)



公司名称：上海梁瑾机电设备有限公司

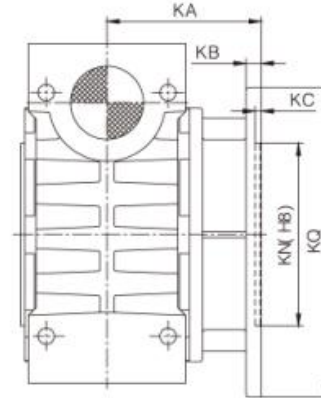
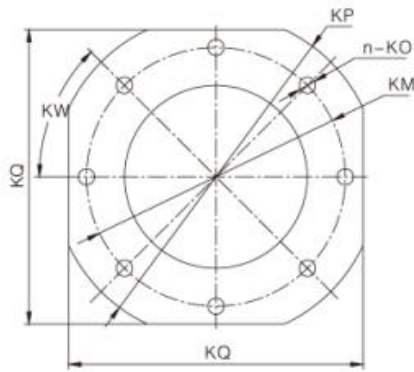
联系人：杨少银 手机:13916695992

QQ:1774474796 3529250374 电话:021-60538280 传真:021-57872573

网址: <http://www.liangjinqb.com> 地址: 中国上海上海市松江区茜浦路 850 弄 33 号

NMRV配件系列 / NMRV ACCESSORIES SERIES

输出法兰 (F) 尺寸 / OUTPUT FLANGE DIMENSIONS (F)

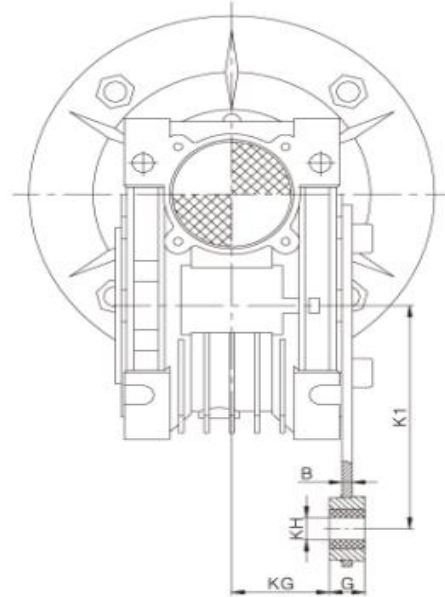
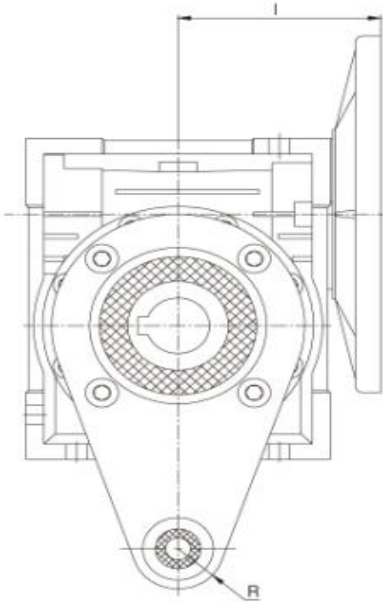


NMRV	030	040	050	063	075	090	110	130	150	
FA	KA	54.5	67	90	82	111	111	139	152	155
	KB	6	7	9	10	13	13	15	15	15
	KC	4	4	5	6	6	6	6	6	6
	KN	50	60	70	115	130	152	170	180	180
	KM	68	75	85	150	165	175	230	255	255
	KO	6.5(n=4)	9(n=4)	11(n=4)	11(n=4)	14(n=4)	14(n=4)	14(n=8)	16(n=8)	16(n=8)
	KP	80	110	125	180	200	210	280	320	320
	KQ	70	95	110	142	170	200	260	290	290
	KW	45°	45°	45°	45°	45°	45°	45°	45°	22.5°
FB	KA	-	97	120	112	-	122	-	-	-
	KB	-	7	9	10	-	18	-	-	-
	KC	-	4	5	6	-	6	-	-	-
	KN	-	60	70	115	-	180	-	-	-
	KM	-	75	85	150	-	215	-	-	-
	KO	-	9(n=4)	11(n=4)	11(n=4)	-	14(n=4)	-	-	-
	KP	-	110	125	180	-	250	-	-	-
	KQ	-	95	110	142	-	-	-	-	-
	KW	-	45°	45°	45°	-	45°	-	-	-
FC	KA	-	80	89	98	-	110	-	-	-
	KB	-	9	10	10	-	17	-	-	-
	KC	-	5	5	5	-	6	-	-	-
	KN	-	95	110	130	-	130	-	-	-
	KM	-	115	130	165	-	165	-	-	-
	KO	-	9.5(n=4)	9.5(n=4)	11(n=4)	-	11(n=4)	-	-	-
	KP	-	140	160	200	-	200	-	-	-
	KW	-	45°	45°	45°	-	45°	-	-	-
	FD	KA	-	58	72	107	-	151	-	-
KB		-	12	14.5	10	-	13	-	-	-
KC		-	5	5	5	-	6	-	-	-
KN		-	80	95	130	-	152	-	-	-
KM		-	100	115	165	-	175	-	-	-
KO		-	9(n=4)	11(n=4)	11(n=4)	-	14(n=4)	-	-	-
KP		-	120	140	200	-	210	-	-	-
KW		-	45°	45°	45°	-	45°	-	-	-
FE		KA	-	-	-	80.5	-	-	-	-
	KB	-	-	-	16.5	-	-	-	-	-
	KC	-	-	-	5	-	-	-	-	-
	KN	-	-	-	110	-	-	-	-	-
	KM	-	-	-	130	-	-	-	-	-
	KO	-	-	-	11(n=4)	-	-	-	-	-
	KP	-	-	-	160	-	-	-	-	-
	KW	-	-	-	45°	-	-	-	-	-

全国直销服务热线 13916695992 021-60538280

NMRV配件系列 / NMRV ACCESSORIES SERIES

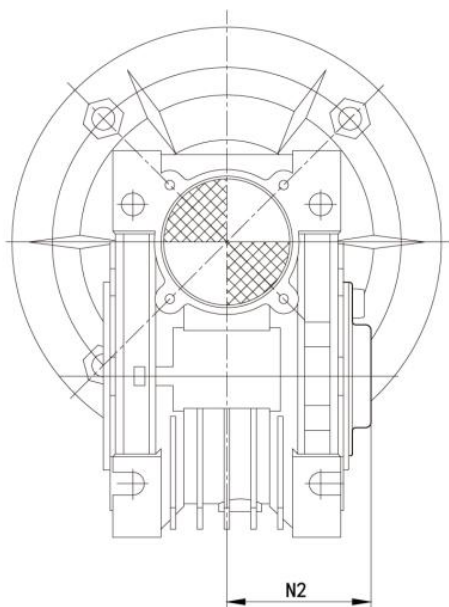
扭力臂 (A) 尺寸 / TORQUE ARM (A) SIZE



NMRV	B	I	K1	G	KG	KH	R
025	4	45	70	14	17.5	8	15
030	4	55	85	14	24	8	15
040	4	70	100	14	31.5	10	18
050	4	80	100	14	38.5	10	18
063	6	95	150	14	49	10	18
075	6	112.5	200	25	47.5	20	30
090	6	129.5	200	25	57.5	20	30
110	6	160	250	30	62	25	35
130	6	179	250	30	69	25	35
150	8	210	250	30	84	25	35

NMRV配件系列 / NMRV ACCESSORIES SERIES

防尘盖尺寸 / DUST COVER SIZE

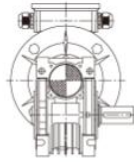


NMRV	N2
030	42
040	50
050	58
063	69
075	74
090	85
110	94
130	102
150	117

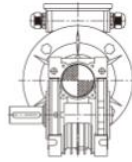
全国直销服务热线 60538280 021-60538280

配件安装方位 / ACCESSORIES INSTALLATION POSITION

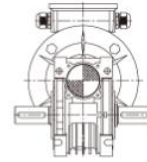
输出轴位置 / THE OUTPUT SHAFT POSITION



DZ1



DZ2

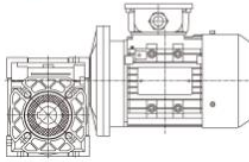


SZ

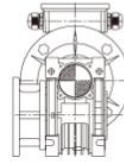
注：如没有特别说明，将按照如图DZ1和B3安装方面的组合样式供货。

Note: If there is no special instructions, will be as shown in figure DZ1 and B3 mounted with respect to the combination of styles available.

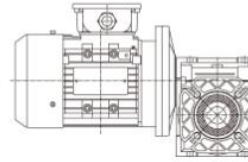
输出法兰位置 / OUTPUT FLANGE POSITION



FA1、FB1、FC1、FD1、FE1



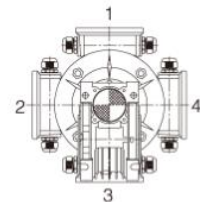
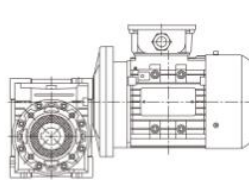
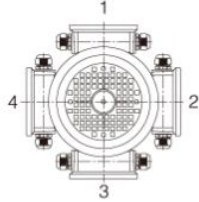
FA2、FB2、FC2、FD2、FE2



注：如没有特别说明，将按照如图F...1和B3安装方面的组合样式供货。

Note: If there is no special instructions, will be in accordance with the figure F... 1 and B3 mounted with respect to the combination of styles available.

电机接线盒位置 / MOTOR TERMINAL BOX POSITION



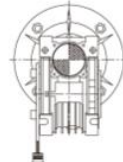
注：如对电机接线盒位置有特别要求，订购时须参考上图的要求指定接线盒方位，否则接线盒方位将按安装方位图表中的方位提供。

Note: If the motor terminal box position have special requirements, when ordering reference is made to the above requirements specified terminal box position, or junction box range according to installation position chart position is provided.

扭力臂(A)位置 / TORQUE ARM (A) POSITION



A1



A2

注：如没有特别说明，将按照如图A1和B3安装方面的组合样式供货。

Note: If there is no special instructions, will be as shown in figure A1 and B3 mounted with respect to the combination of styles available.

尾出轴(E) / TAIL SHAFT (E) POSITION

